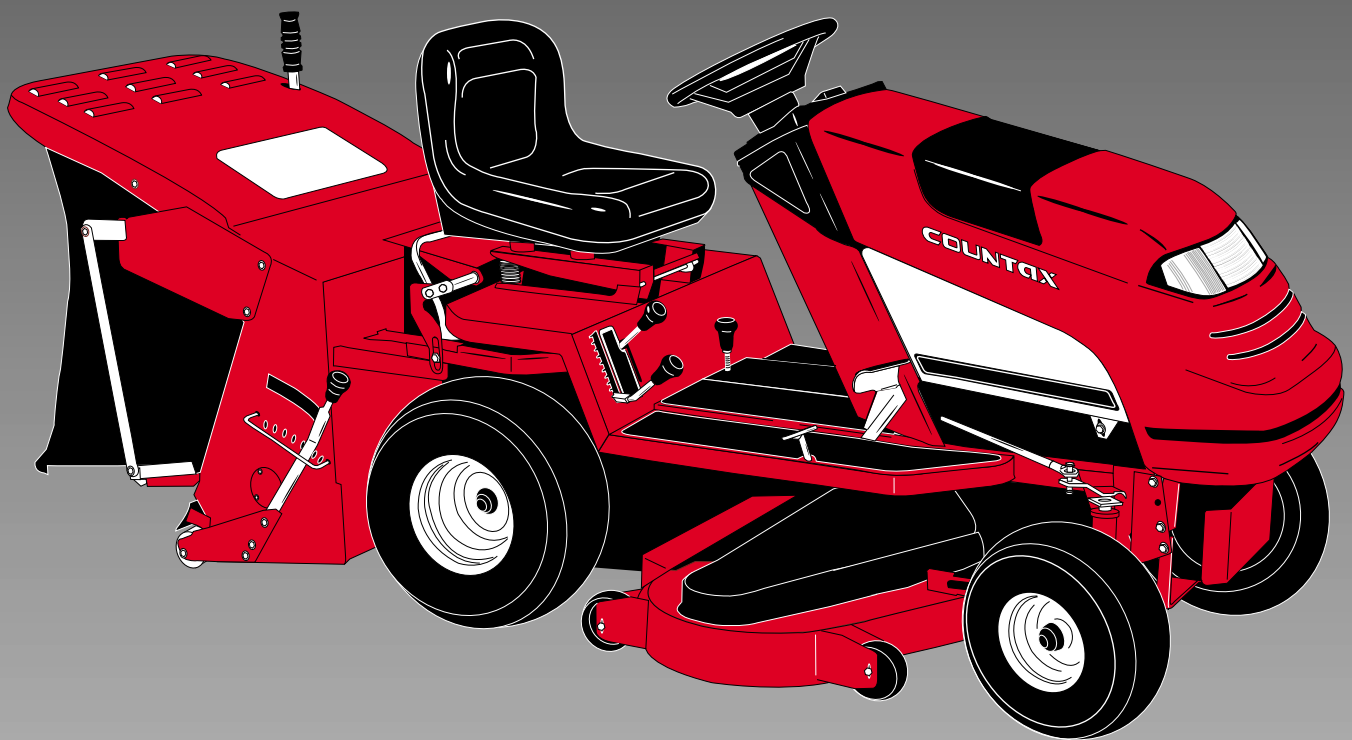


COUNTAX[®]

Britain's Best Selling Range of Garden Tractors



C SERIES Garden Tractor

OWNERS HANDBOOK

CERTIFICATE OF CONFORMITY E.C Declaration of Conformity

I, the undersigned A.Bennett of Countax Limited, Great Haseley, Oxford England certify that the lawnmowers:

MODEL	C-300	C-38H	C-550	C400	C600	C800
Power (Kw)	9.25	9.7	12	11.2	11.9	13.4
Max Rotation of Blades (rpm)	3000	3000	3000	3000	3000	3000
Engine Manufacturer	B & S	Honda	B & S	B & S	B & S	B & S
Engine Type	Petrol	Petrol	Petrol	Petrol	Petrol	Petrol
Mass in Kg	192	192	192	192	192	192
Max Drawbar Pull (Kg) at Coupling Hook	400	400	400	400	400	400
Max Vertical load (Kg)	25	25	25	25	25	25
Max Sound Power Level	100 Db(A) @ 2600rpm		100 Db(A) @ 3000rpm			
Vibration (m/s/s) hands:	3.2	3.2	3.2	3.2	3.2	3.2
Vibration (m/s/s) seat:	4.2	4.2	4.2	4.2	4.2	4.2
Type of Cutting Device	Cutterbar	Cutterbar	Cutterbar	Cutterbar	Cutterbar	Cutterbar
Width of Cutting Device	76cm	76cm	76cm	76cm	76cm	76cm

Conforms to the specification of Directive 84/538/EEC (as adapted to the technical progress by Directive 87/252/EEC and amended by Directive 88/180/EEC and Directive 89/392/EEC (amended by 91/368/EEC, 93/44/EEC and 93/31/EEC) and Directive 89/336/EEC and amended by 91/263/EEC 92/31/EEC).

Standards used: BS5107, EN292, ISO3767, ISO3864

Tested at Oxford. England

I declare that on behalf of Countax Limited these machines conform to EC Essential Health and Safety requirements.

Signed:



A. Bennett (Technical Director) 01/01/01

Name of Dealer:.....

Address of Dealer:.....

Tel:..... Fax:..... Email:.....

COUNTAX[®]

Britain's Best Selling Range of Garden Tractors

Countax Limited, Countax House, Great Haseley Trading Estate
Great Haseley, Oxfordshire OX44 7PF

Tel: 01844 278800 • Fax: 01844 278792
www.countax.com • email@countax.com

Safety Instructions & Information - C Series Garden Tractor

Safety Instructions	Page 1 & 2
Controls - Dashboard	Page 3
Controls - Indicators	Page 4
Controls - Levers	Page 5
Cutter Decks	Page 6
Cutter Deck Removal	Page 7
Cutter Deck Check List	Page 8
Deck Levelling	Page 9 & 10
Cutter - Drive Belt	Page 11
Powered Grass Collector	Page 12 & 13
Engine Check List	Page 14
Engine Oil	Page 15
Fuel	Page 16
Air & Cooling	Page 17
Battery & Spark Plug	Page 18
Fuses & PCB	Page 19
Wheels & Tyres	Page 20
Tractor Wiring Diagram	-
HE Wiring Diagram	-

YOU MUST FULLY READ THESE SAFETY INSTRUCTIONS INCLUDED IN THIS MANUAL BEFORE ATTEMPTING TO OPERATE THIS GARDEN TRACTOR. WE WILL ACCEPT NO RESPONSIBILITY FOR LOSS OR DAMAGE RESULTING FROM THE IMPROPER USE OF THIS MACHINE. CARELESS OR IMPROPER USE MAY CAUSE SERIOUS OR EVEN FATAL INJURY.

Mandatory Safety Instructions For The Use of Countax Tractors

TRAINING

1. Read the instructions carefully. Be familiar with controls and the use of equipment.
2. Never allow children or people unfamiliar with these instructions to operate the mower.
3. Never mow while people, especially children or pets are nearby.
4. The operator or user is responsible for accidents or hazards occurring to other people or their property.
5. Do not carry passengers.
6. All drivers, should seek to obtain professional and practical instruction. Such instruction should include:
 - The need for care and concentration when working with this machine.
 - Control of a tractor sliding on a slope will not be regained by the application of the brake.
 - The main reasons for loss of control are:
 - i) Insufficient wheel grip
 - ii) Driving too fast
 - iii) Inadequate braking
 - iv) Incorrect load distribution

PREPARATION

1. Check that the machine complies with all applicable regulations, including those in force when used on the public highway.
2. When mowing, always wear substantial footwear and long trousers. Do not operate when barefoot or with sandals.
3. Thoroughly inspect the area where the tractor is to be used and remove all stones, sticks, wires and bones or any other foreign objects.

4. **WARNING** – petrol is highly flammable:
 - Store fuel in containers specifically designed for this purpose.
 - Refuel outdoors only and do not smoke while refuelling.
 - Add fuel before starting the engine. Never remove the cap from the fuel tank or add petrol while the engine is running or when engine is hot.
 - If petrol is spilled, do not attempt to start the engine but move the machine away from the area of spillage and avoid creating any source of ignition until petrol vapours have dissipated.
 - Replace the fuel tank securely.
5. Replace faulty silencers.
6. Before using, always inspect to see that the blades, bolts and cutter assembly are not worn or damaged.
7. Check the condition of the tyres and ensure that they are inflated to the correct pressures (refer to the specifications). This is particularly important if the machine is to be taken on the public highway.
8. Check that the mower is in good working order paying particular attention to brakes and steering.
9. Check that all linkages, connections and pivot nuts are secure and that the wheel nuts are torqued correctly.

OPERATION

1. Do not operate the engine in a confined space where dangerous fumes can collect.
2. Mow only in daylight or in very good artificial light.
3. Before starting the engine, disengage blade and attachment drives and shift into neutral.
4. Take care on slopes of more than 10°.
5. Remember, there is no such thing as a 'safe slope'. Travel on grass slopes requires particular care to guard against overturning:
 - Do not stop or start suddenly when going up or downhill.
 - Engage drive slowly. Always keep the machine in drive when travelling up or down a slope.
 - Machine speed should be kept low on slopes and in tight turns.
 - Stay alert for humps and hollows and other hidden hazards.
 - Avoid mowing across the face of the slope.
6. Watch out for traffic and stop blades rotating when crossing or near roadways.
7. When using the machine, never direct discharge or material towards bystanders or allow anyone near the machine while in operation.
8. Never operate the mower with defective guards, shields or without safety protective devices in place and in good working order.
9. Do not change governor settings to increase the revs of the engine. Operating an engine at excessive speed increases the hazard of injury.
10. Before leaving the operators position:
 - Disengage the drive to the cutter blades and attachments, and lower the attachments.
 - Apply the Parking Brake (change into neutral first – on C300M).
 - Stop the engine and remove the ignition key.

C Series Garden Tractor - Safety Instructions Cont.

11. Disengage drive to attachments, stop the engine and disconnect the spark plug lead or remove the ignition key before:
 - Cleaning blockages.
 - Checking, cleaning or working on the mower.
 - Refuelling.
 - Removing the Grass Collector.
 - After striking a foreign object (inspect the mower for damage and make any repairs before restarting the tractor).
 - If the machine starts to vibrate abnormally, check immediately and call your dealer if necessary.
12. Disengage drive to attachments when transporting or not in use.
13. Reduce the throttle setting during engine run-out.
14. Never work on the mower when the engine is running.

MAINTENANCE

1. Check that all nuts, bolts and screws are tight to be sure the equipment is in safe working condition.
2. Never store the equipment with petrol in tank inside a building where fumes may reach an open flame or spark.
3. Allow the engine to cool before storing it in any enclosed space.
4. To reduce the risk of fire, keep the engine, silencer and battery compartment free of grass, leaves, petrol or excessive grease.
5. Check the Grass Collector frequently for wear or deterioration.
6. Replace worn or damaged parts for safety.
7. If the fuel tank has to be drained, this should be done outdoors.
8. Be careful during adjustments of the machine to prevent entrapment of the fingers between moving blades and fixed parts of the machine.

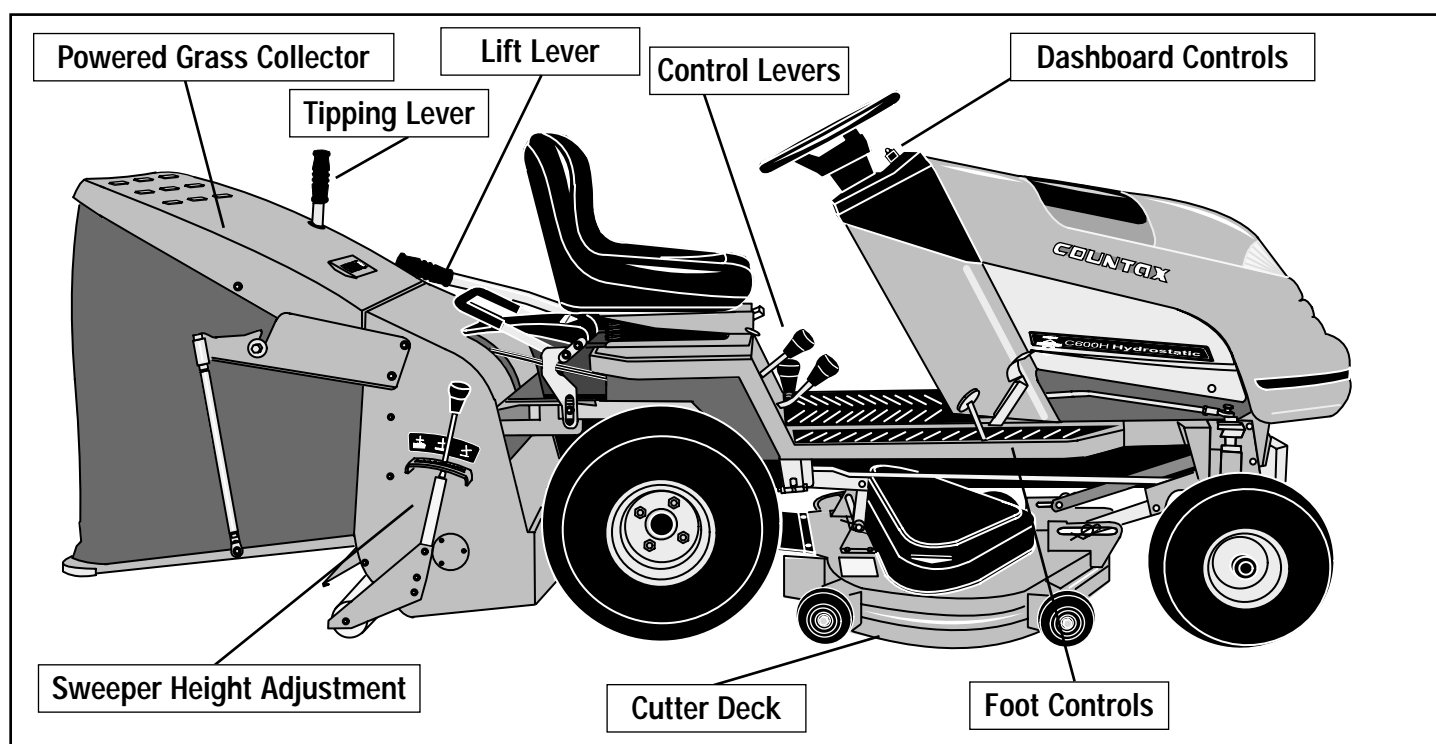
SUPPLEMENTARY INSTRUCTIONS FOR THE USE OF THE COUNTAX C SERIES GARDEN TRACTOR

1. Use good common sense at all times, and to ensure this tractor is safe and serviceable, fit only original manufacturer's supplied spares.
2. When inspecting the area to be cut, note also the position of any stumps, manhole covers, bumps and depressions and avoid them to prevent damaging the blades.
3. We recommend the use of **STANDARD UNLEADED** fuel and that you ensure the fuel tank is full before you start the machine.
4. Always disconnect both battery terminals before attempting any work in the engine compartment.
5. Do not leave the tractor unattended and running.
6. Do not put hands near moving belts of the Power Take-Off pulley while it is rotating.

LAYING UP YOUR TRACTOR FOR THE WINTER

Your tractor should be serviced by your dealer – book early to beat the last minute rush.

1. Ensure that the last fill of your petrol tank includes Countax fuel additive which is available from your supplying dealer.
2. Having run the engine with the additive enhanced fuel either in use or for at least 15 minutes, disconnect the battery, making sure the terminal leads are removed and then **DRAIN THE FUEL TANK**.
3. Re-connect the battery and **START AND RUN THE ENGINE UNTIL IT STOPS**.
4. Wash your tractor, taking particular care to clean all cuttings from the underside of the Cutter Deck and keep water away from electrical components. Countax do not recommend the use of high pressure or steam cleaners.
5. **REMOVE THE BATTERY** and/or charge periodically throughout the winter.
6. Keep your tractor in a dry place.



Controls - Dashboard - C Series Garden Tractor

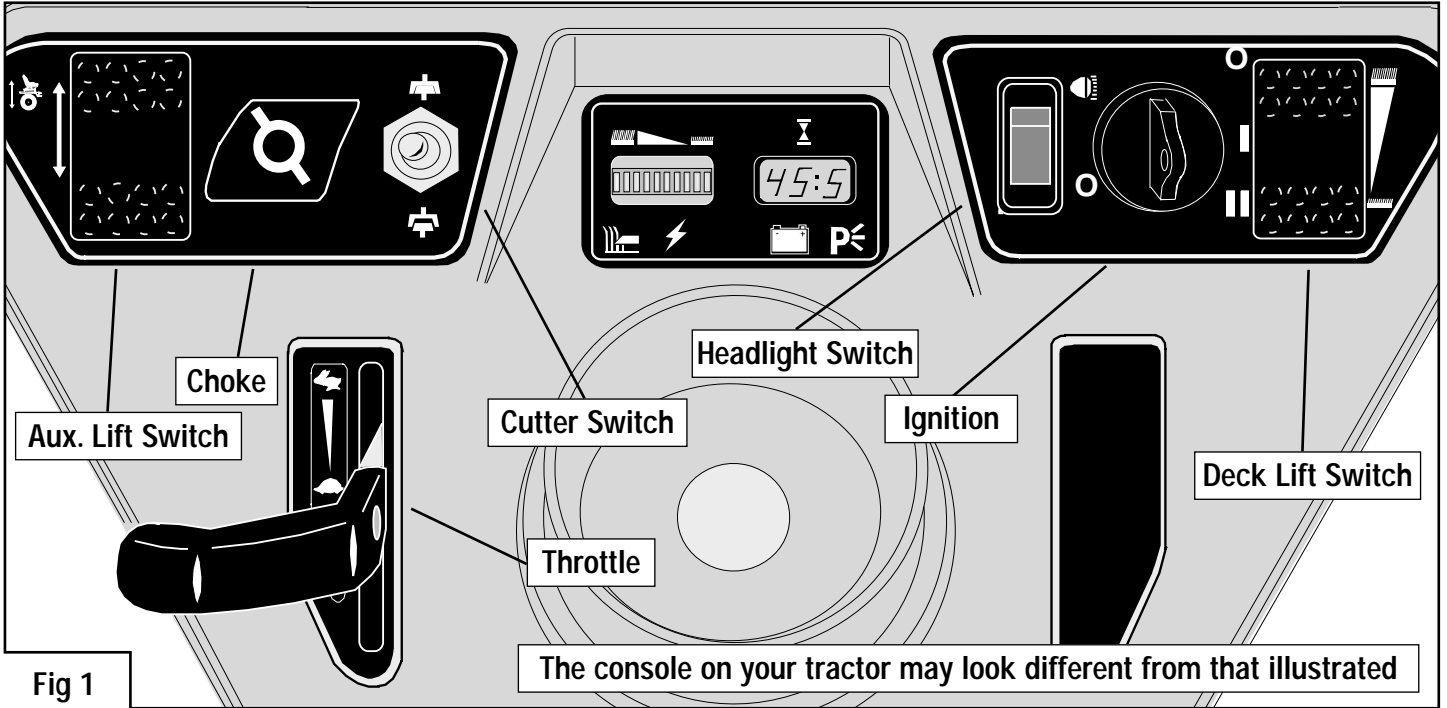


Fig 1

The console on your tractor may look different from that illustrated

PLEASE READ BEFORE ATTEMPTING TO OPERATE YOUR TRACTOR

IGNITION - Fig 1

The 'Key Start' controls both the ignition and the starter. Insert the key and turn to the first position – the dash lights will come on (check all is ready to start), then turn further to activate the starter. Release as soon as the engine starts. To stop, turn the key to the left (having first switched off both the Cutter and PTO). It is always good practice to remove the key and keep it safe. As with a car, it is important to prevent unauthorised use by children who could injure themselves.

CHOKE - Fig 1

An independent choke is fitted to some models in the C Series range. This choke should be used in conjunction with a fast throttle setting when starting the engine from cold. It should be cancelled as soon as possible and not used on a warm engine.

CUTTER ON/OFF SWITCH - Fig 1

The Cutter Switch controls the Electromagnetic Blade Clutch. It works like a light switch (but in reverse) – UP for ON and DOWN for OFF. Although it always returns to the central position and the Cutter Deck will automatically switch off when the engine is stopped, it is not good practice to rely on this safety feature. The Cutter Deck should always be switched OFF as soon as you have finished cutting and certainly BEFORE stopping the engine or getting off the tractor.

THROTTLE - Fig 1

This lever is pushed forward and up for FAST and CHOKE, back and down for SLOW. A cold engine is started on the CHOKE setting, a warm one on the FAST setting. The CHOKE setting should be cancelled as soon as possible and the engine operated on FAST setting at all times.

HEADLIGHT SWITCH - Fig 1

The headlights are turned ON by switching the rocker switch down. The Headlights will not operate when the ignition is OFF. Turn the Headlights OFF before starting or stopping. Remember – DO NOT operate your tractor in darkness unless you have adequate artificial light.



Please Note: - SAFETY SWITCHES

SEAT SAFETY SWITCH:

Your Countax tractor is fitted with a safety switch that will turn OFF the engine and Cutter Deck should you dismount. This is a safety device and SHOULD NOT be used voluntarily. If you want to dismount from the tractor and want the engine to continue running, first switch OFF the Cutter Deck, then apply the Parking Brake. You can now dismount. DO NOT LEAVE THE ENGINE IDLING FOR ANY LENGTH OF TIME. Should you dismount with the Parking Brake ON, the Cutter Deck will cut out after a short delay of a couple of seconds. Do not rely on this back-up cut-out. Ensure your safety by switching the Cutter Deck off.

BRAKE PEDAL SAFETY SWITCH:

Your Countax tractor is fitted with a safety switch under the Brake/Clutch pedal. This switch earths the ignition unless the brake is on. The engine will only start while the Brake/Clutch pedal is depressed. Two red lights on the dash (Ignition and Brake) indicate that the Engine is ready to start

DASHBOARD INDICATORS - Fig 2

In the centre of the dashboard console on your tractor will be a display panel. Figure 2 illustrates the panel of a C Series HE model, some models may differ in the appearance of the indicator layout - but each symbol is described below. It is important that you get to know what each symbol means, spend some time studying the diagrams below.

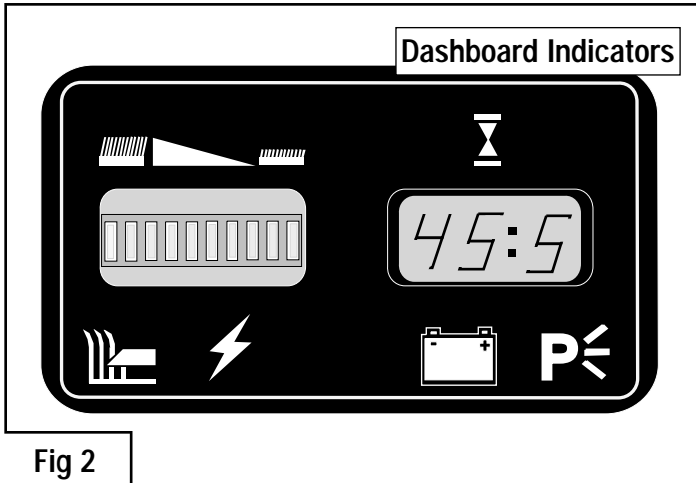


Fig 2



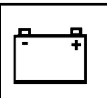
'Cutter On' Symbol

This light flashes continuously when the Cutter is running.



'Ignition On' Symbol

This indicator goes out when the Cutter is running.



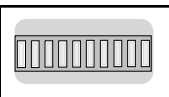
'Charge' Symbol

This indicator comes on only when the battery is charged (if this indicator is not lit by the end of the mowing session you should run the engine at maximum revs until it lights or remove the battery for charging).



'Brake - On' Symbol

This indicator illuminates when the Parking Brake is engaged.



'Deck Height' Indicator

This illuminated display illustrates the height of the cut that the Cutter Deck is currently working at.



'Hour Meter' Indicator

This meter displays the number of hours the tractor has been running since it was built (very much like a odometer on your car). Use it in the same way for judging services and oil changes.

CONTROLS - FORWARDS & REVERSE (Except C300M)

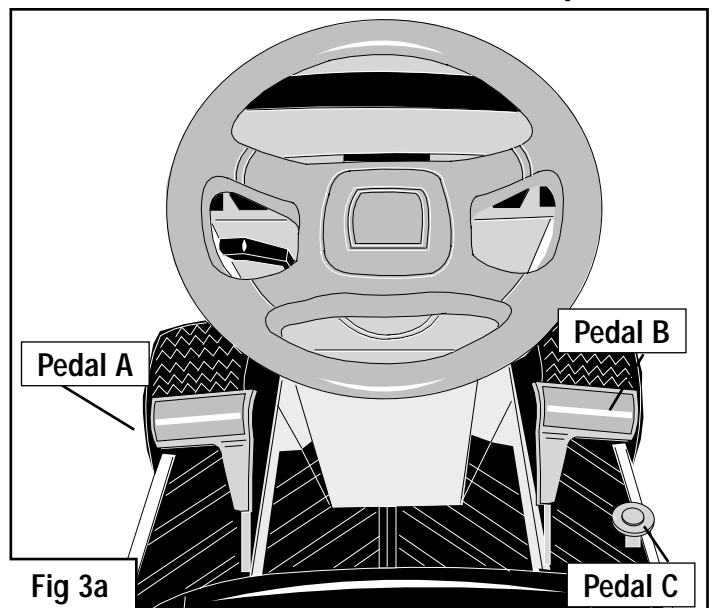


Fig 3a

PEDAL A - Emergency Brake and Parking Brake

PEDAL B - Forward Speed control

PEDAL C - Reversing control

MOVING OFF - Fig 3a

To move off, ensure your feet are off pedals 'B' and 'C', then release the Parking Brake by depressing and releasing pedal 'A'. Now gently depress pedal 'B' and you will move off. The further you depress pedal 'B', the faster you will go. Its function is very similar to that of the accelerator on an automatic transmission car, except that it controls the hydrostatic drive and not the speed of the engine.

REVERSING - Fig 3a

To engage and control reversing, simply take your foot off pedal 'B' - to avoid a rapid stop, remove your foot gently. The tractor will come to a standstill. When the tractor is stationary, press pedal 'C' to move backwards.

EMERGENCY BRAKING - Fig 3a

In normal use, removing your foot from either of the drive pedals is all that is required to stop the tractor safely and quickly. For an emergency stop, press pedal 'A' whilst releasing the drive pedal, this will add physical braking to the normal hydrostatic braking.

PARKING - Fig 3a & Fig 4

Remove your foot from pedals 'B' and 'C' and the tractor will come to a standstill. Now depress pedal 'A'; keeping pedal 'A' depressed, firmly press down on the Parking Brake knob 'D' (Page 5, fig 4) using your left hand. Whilst keeping knob 'D' depressed release the Brake/Clutch pedal 'A' and it should remain in the engaged depressed position. Now gently release the Parking Brake knob, and your tractor will now be parked. When you turn off the engine, the natural braking of the hydrostatic system will add to the effect of the brake, its like leaving your car in gear! To release Parking Brake simply depress pedal 'A'.

Controls - Levers - C Series Garden Tractor

TRANSAXLE TRANSMISSION (e.g. C300M) - Fig 3b

If your tractor is fitted with a manual transmission, the forward speeds and reverse are controlled manually via a control lever to the right of the driver. The tractor can be driven off in any of the forward gears, each number representing a speed that the tractor can travel at (e.g. 1=SLOW, 6=FAST). The machine must always be at a standstill before you can change the lever setting to a different speed. The tractor is stopped by depressing the Brake/Clutch pedal situated on the right hand side of the central console. Keeping this pedal depressed, move the Gear Select Lever to the required gear then SLOWLY release the pedal to engage drive to the wheels of your tractor. To park, depress the Brake/Clutch pedal, then push and hold down the Parking Brake (D). Release the footpedal and you will be parked. Depress the footpedal again to release the brake.

EMERGENCY BRAKING (TRANSAXLE MODELS: C300M)

To achieve this, depress the Brake/Clutch pedal fully whilst the tractor is in motion, the machine will come to a sharp sudden standstill. Remember, this procedure should NEVER be used during normal use – misuse of this feature could damage your tractor.

POWER TAKE-OFF (PTO) - Fig 4

The PTO delivers power from the tractors engine to any driven attachment connected to your tractor (e.g. Powered Grass Collector). The PTO lever is situated to the right of the driver beneath the seating position. To engage, lift the lever to the LEFT and DOWN, letting it find its own height. To disengage, pull the lever UP and to the RIGHT. Always have this lever in the disengaged position when not in use. Do not put hands near moving pulleys and belts.

CUTTING HEIGHT (HE MODELS) - Fig 1

The cutting height of your tractor is adjusted by pressing the rocker switch on the right hand side of the dashboard (page 3, fig 1), UP for higher or DOWN for lower. The illuminates indicator on the centre display panel indicates the position of the Cutter Deck. Ten illuminated heights are marked for guidance purposes only – the cutting height is in fact infinitely adjustable! To get the best from this refinement, use it to continuously adjust the cutting height to suit the ground and grass conditions. To avoid scalping, do not make downward adjustments on the move until you are familiar with the height control.

CUTTER HEIGHT LEVER (NON HE MODELS) - Fig 4

This lever is used to select cutting height. Down for LOW, up for HIGH (from about 13mm to about 90mm). The 10 cutting heights are numbered in relation to the height that the Deck cuts at. We suggest you select position 3 of 4 for mowing lawns and position 8 or 9 for very long grass and paddocks. In practice you will discover the height you need for each area of your grounds. In wet or heavy conditions it is advisable to select a higher position than you would normally in light or dry conditions.

SEAT ADJUSTMENT - Fig 5

The seat on the C Series is adjustable forwards and backwards to suit the operator. Simply lift the seat latch at the front or the seat and slide the seat forwards or backwards to suit. Always ensure the seat is latched back into position before driving off.

DUMP VALVE (HYDROSTATIC TRACTORS) - Fig 6

The natural braking of hydrostatic means that it is not possible to push or freewheel the C Series tractor with the hydrostatic engaged. To disengage, first make certain that the machine is on a flat even surface, then release the parking brake by depressing pedal 'A'. Locate the Dump Valve, situated along side the rear right wheel and pull it out. You will now be able to push the tractor at a speed not exceeding 2mph. Make sure you disengage the Dump Valve by pushing the lever back BEFORE starting your tractor.

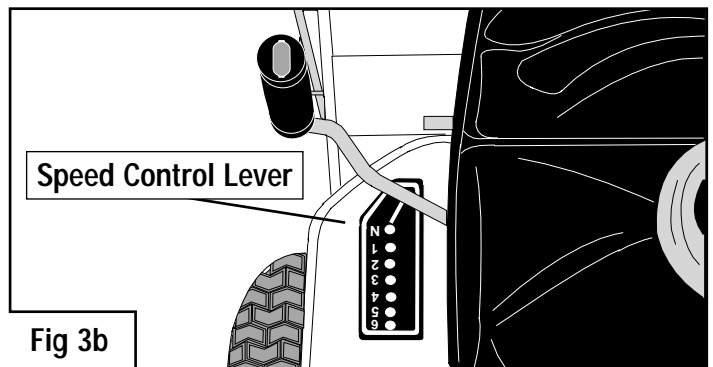


Fig 3b

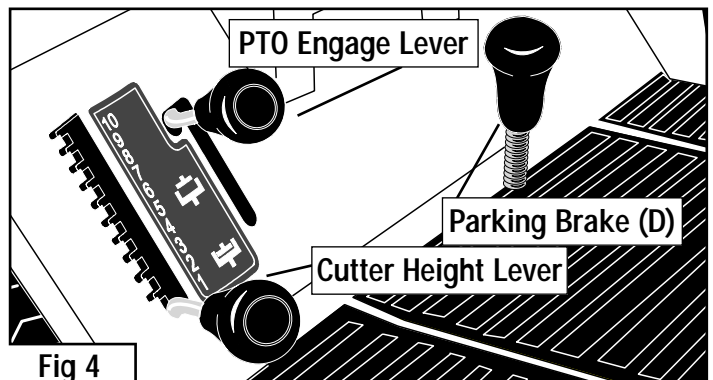


Fig 4

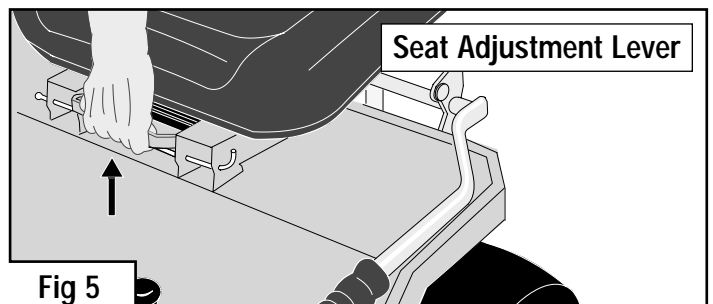


Fig 5

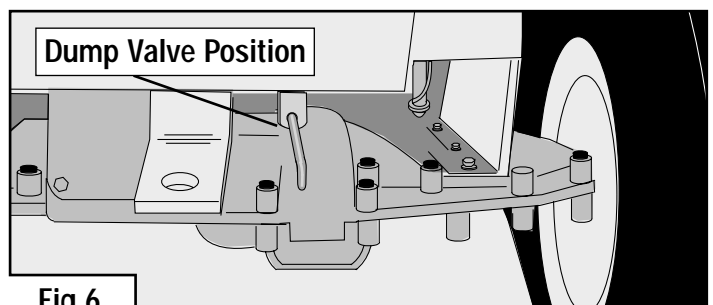


Fig 6

MULCH MOWING - Fig 7

Mulching can save time, avoids gathering piles of rotting cuttings and feeds your lawn. It is however necessary to observe certain rules to mulch mow successfully.

- Reduce the height of the grass by no more than 1/3rd its height in each pass. If the grass has grown long, make several passes to achieve the cut height you require.
- Always cut with the throttle set to FAST – mulching needs the full running speed of your tractor's engine.
- Mow often, particularly in spring and early summer. Short clippings of 25mm (1") or less decompose more quickly.
- If possible avoid cutting in the wet.
- If an unsightly residue of cuttings is being left – increase the cutting height.
- Always keep the underside of the Cutting Deck clean to ensure good grass flow.
- Always check that the blades are sharp and kept in good condition – but do not attempt to sharpen or replace the blades yourself – Countax blades are not expensive and it is good practice to ask your dealer to change them regularly.



Please Note: - **MULCHING**

HOW MULCHING WORKS:

The Countax Mulcher Cutting Deck has three mulching compartments. The grass cuttings are lifted and held until they are cut several times and injected back into the turf as small particles. These release nutrients back into the soil.

PULLEY ARRANGEMENTS - Fig 8 & 9

Figures 8 and 9 illustrate the pulley arrangement and belt run of the C Series Mulcher Deck and IBS Deck (refer to decal on Cutter Deck for replacement belts and blades). These diagrams are for guidance purposes only and Countax recommends that the replacement of Cutter Deck drive belts be carried out by your local Countax Dealer.

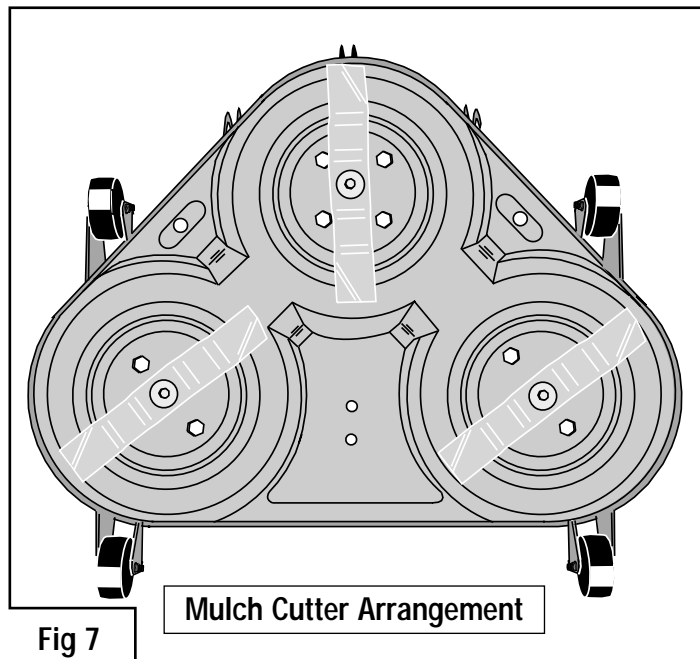
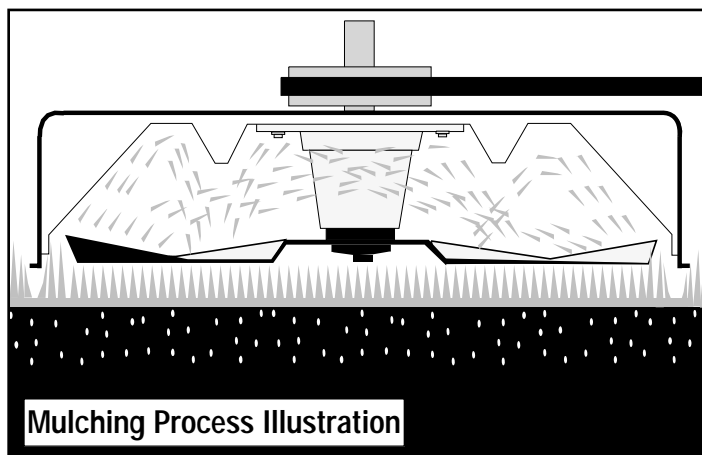


Fig 7

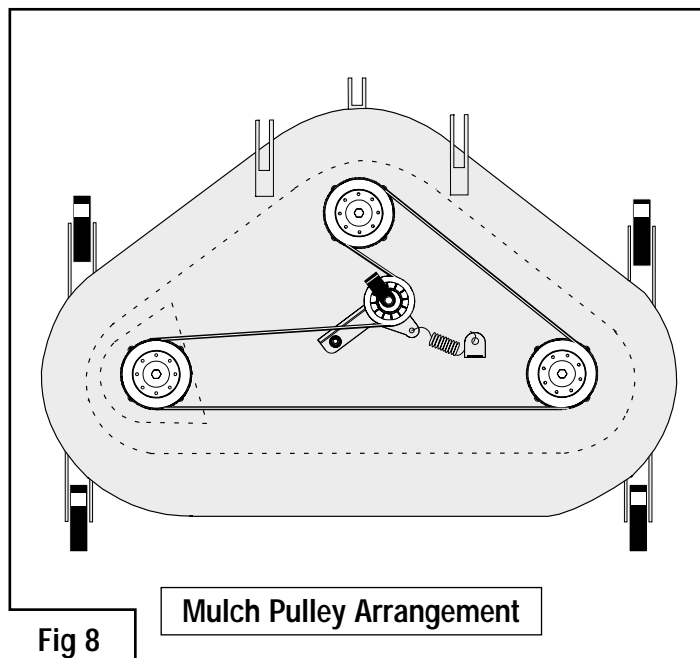


Fig 8

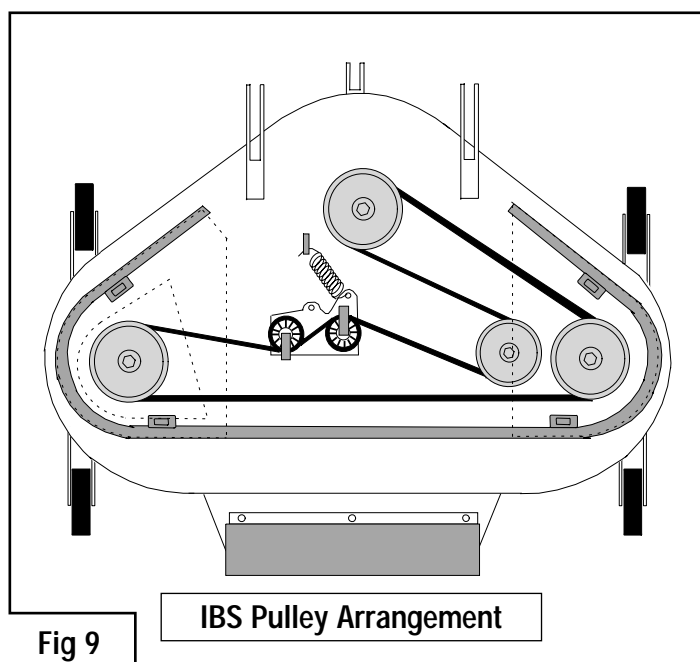


Fig 9

Cutter Deck Removal - C Series Garden Tractor

The Rear Discharge Deck is used in conjunction with the PGC. It ejects grass rearwards after cutting for the Powered Grass Collector to collect. Either the Mulch Deck or the Rear Discharge Deck can be fitted to the C Series using the following instructions.

REMOVAL OF CUTTER DECK - Fig 10

The Cutter Deck can be quickly removed for servicing or cleaning or to give greater clearance when driving or towing over uneven ground. Follow this sequence:

1. Put the Cutter to its lowest position (see page 5).
2. De-tension the Cutter Drive Belt with the Deck Tension Lever situated under the left (nearside) running board (see figure 13).
3. Remove the 3 securing pins from the front of the deck (fig 11 – A, B and C) by pulling out the spring clips.
4. Remove the 2 securing pins and washers from the back of the deck (fig 12 – D and E).
5. Slip the Cutter Deck Drive Belt off the Engine Pulley.
6. Slide the Deck out.
7. If you are going to use the Tractor without the deck, remove the Securing Bar (fig 10 – F).
8. Reverse this procedure to re-install.



Please Note: - CUTTER DECK REMOVAL

IMPORTANT

When replacing the Cutter Deck, Re-tension the belt with the lever under the running board BEFORE attempting to use your tractor.

TO CLEAN THE CUTTER DECK

Remove the deck as instructed, stand it on its side and hose off accumulated cuttings. This may be necessary routinely to prevent build up of cuttings, particularly at the beginning of the season when the grass is lush and wet. Thoroughly wash the underside of the Cutter Deck as regularly as possible.

ENGINE TO CUTTER DRIVE BELT REPLACEMENT

To replace the Engine to Cutter Drive Belt, follow this sequence:

1. Pull the Belt Tension Lever forward to detension (fig 13).
2. Lower the Cutter Deck to the lowest position (page 5).
3. Remove the belt from the Forward Electric Clutch Pulley – it will slip off.
4. Remove the Cover of the Cutter Deck Pulley Housing – loosen and remove the 1/4" UNF nut and bolt using two 7/16" spanner/sockets – then slide (tap) the cover off.
5. Remove the belt from the Cutter Deck Pulley – you may have to ease it off by rotating the pulley.
6. Now replace the CORRECT BELT (see decal mounted on Cutter Deck), by reversing this procedure, taking care to fit the belt into the 'V' grooves.
7. Pull back the Belt Tension Lever so the Belt is tensioned. Now check and adjust belt tension as detailed on page 11.

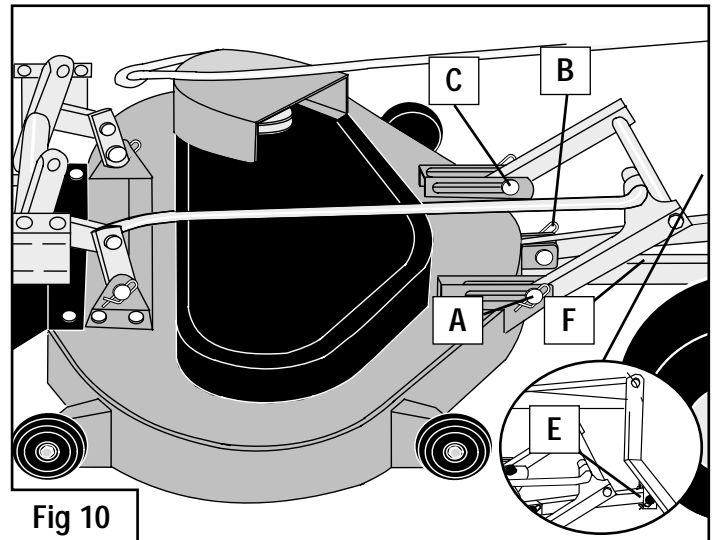


Fig 10

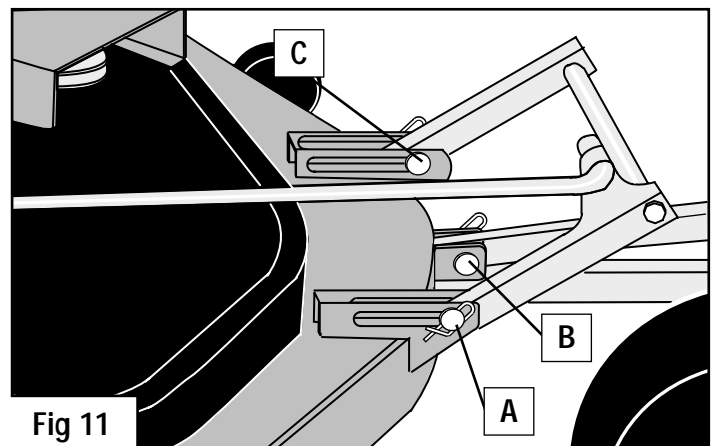


Fig 11

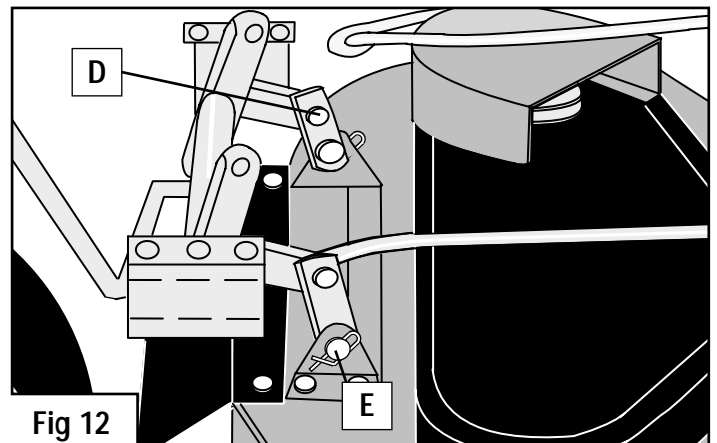


Fig 12

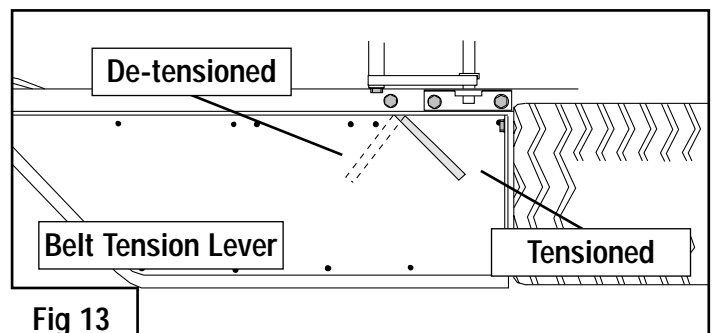


Fig 13

C Series Garden Tractor - Cutter Deck Check List

CUTTER FAILS TO START OR CUTS OUT WHEN SWITCHED ON

Check:

- ✓ Are you on the tractor? – Unless you sit on the seat, the safety switch cuts out the Cutter Deck.
- ✓ Is the battery low? – The Clutch Engage Switch will only operate if the battery is well charged.
- ✓ Does the 10Amp-barrel fuse on the printed circuit board need replacing (see page 19, fig 57).
- ✓ That either the Cutter Switch or the Safety Switch on the seat is not faulty – if so, call your dealer.

UNEVEN CUT (CUTS SHORTER ONE SIDE THAN THE OTHER) - Fig 14

Check:

- ✓ That the tyres are all inflated to the correct pressures (see back sheet).
- ✓ That the front axle is pivoting freely.
- ✓ That the deck suspension brackets are moving freely and not hitching up.
- ✓ That the side deck level adjustment is correct (page 10).

CUT IS UNEVEN OR UNTIDY IN ONE OR MORE SECTORS

Check:

- ✓ That the Cutter Deck is levelled correctly front to back (page 9).
- ✓ That one or more of the blades are not worn or damaged – if so, call your dealer.

THE CUTTER SEEMS TO LOSE POWER AND THE BELT SLIPS AND OVERHEATS

Check:

- ✓ That the Tensioner Rod is correctly applied.
- ✓ That the Cutter Belt Tension is correct (see page 11).
- ✓ That the Cutter Deck is not clogged with wet cuttings.
- ✓ That the Cutter Drive belt is not worn.

We do not recommend that customers attempt to change cutting blades themselves, remember that it is never worthwhile to have blades reground. It is cheaper and better to replace blades – re-grinding is likely to affect the hardening of the blade and its balance.

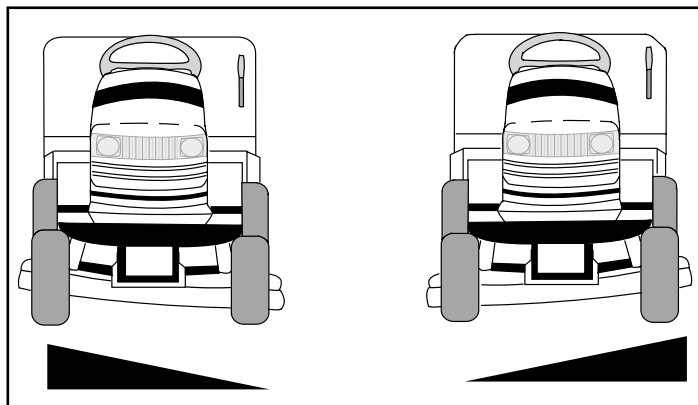


Fig 14

Cutter Not Level Side to Side

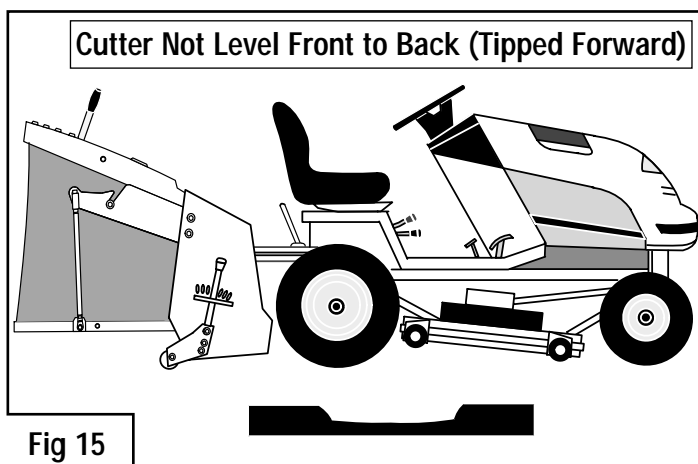


Fig 15

Cutter Not Level Front to Back (Tipped Forward)

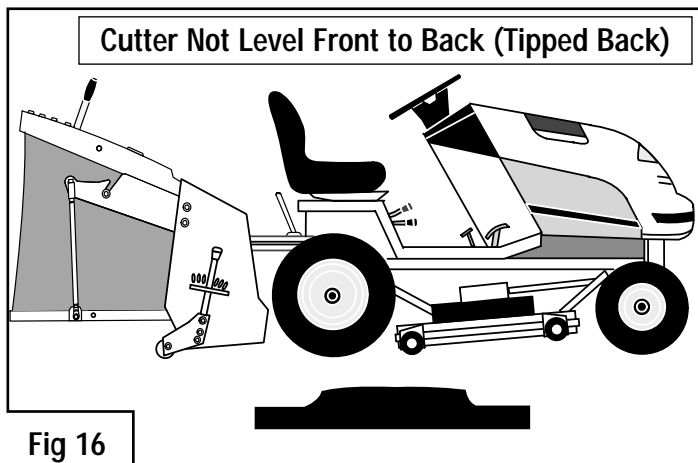


Fig 16

Cutter Not Level Front to Back (Tipped Back)

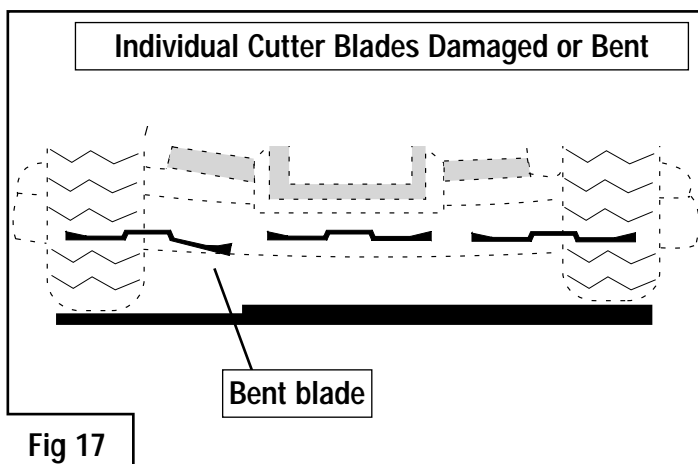


Fig 17

Individual Cutter Blades Damaged or Bent

Bent blade



Please Note: - **BEFORE YOU START**

IMPORTANT

The information contained on this, and the following pages is given on the understanding that Countax accepts no responsibility for work carried out by a customer or for any damage thus caused, whether or not the service instructions have been misunderstood. To be sure that your warranty terms are not breached, service work should only be carried out by your dealer.

Deck Levelling - C Series Garden Tractor

The Cutter Deck should be set so that it is parallel to the surface it is cutting with a maximum variation from side to side, or front to back of 3mm. Check this by placing the tractor on a hard level surface and measuring the clearance heights front to back and side to side with a steel ruler or tape with the Cutter set one adjustment up from its lowest position.

If the Cutter Deck seems to require levelling, first check these other possible causes:

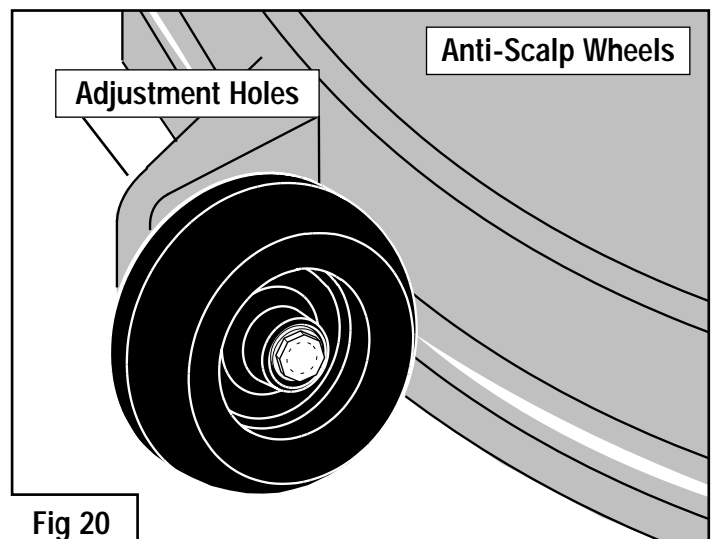
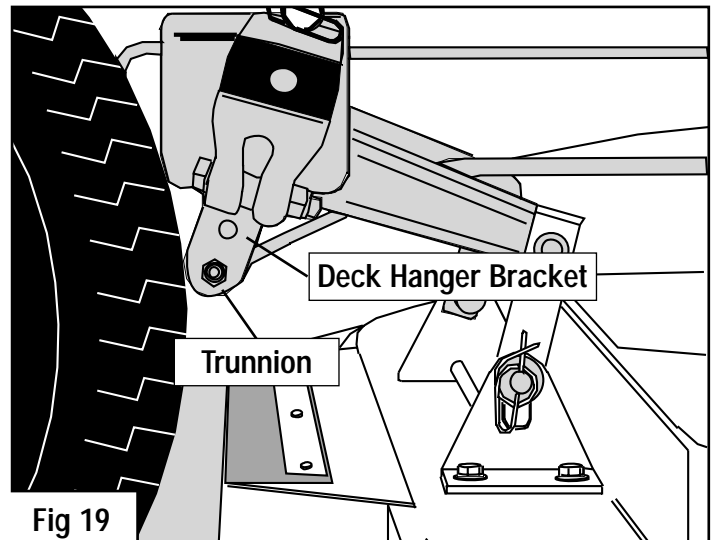
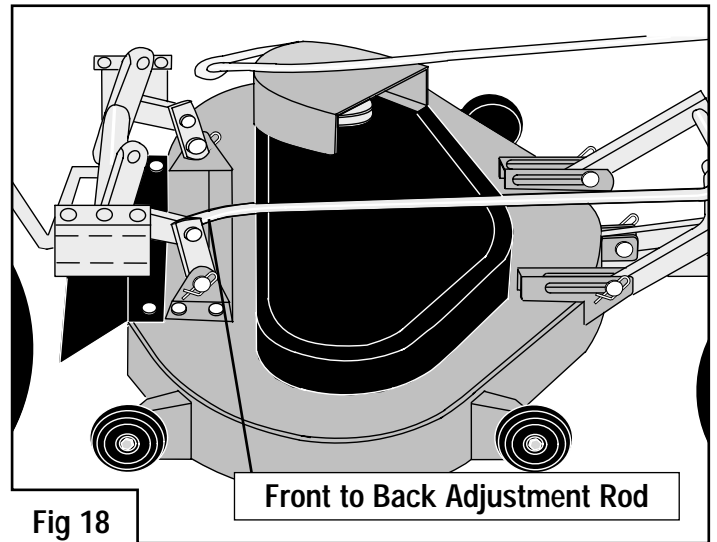
1. Are the tyres correctly inflated? – If not, rectify using the figures on the back page as a reference.
2. Are the Cutter Deck Hanger brackets (fig 19) moving freely or are they hitching up. To check this, lift the Cutter deck to its highest position and lift and rock it, watching to ensure that the brackets move freely – if not, clean and grease.
3. Is the front axle pivoting freely? – If not, clean and oil.
4. Is there any impact damage that has bent or distorted the Deck or Suspension Brackets (a matter for your dealer)?

If the Deck is still uneven then:

LEVELLING FRONT TO BACK - Fig 18, 19 & 20

You need two people for this operation – one to lift the Deck while the other removes or relocates the Trunnion.

1. Ensure that the Anti-Scalp Wheels are all set to the same height – if not, rectify (fig 20).
2. Lower the Cutter Deck to a position one above the lowest setting – check levels with a ruler or tape at a position close to the front and rear anti-scalp wheels.
3. Now locate the Front to Back Adjustment Rod to the right near offside wheel, you will find the Trunnion (fig 19) that links the rod to the Deck Hanger Bracket. Both the Trunnion and the Rod are threaded and adjustment is achieved by rotating the Trunnion to 'in-effect' lengthen the Rod.
4. To free the Trunnion, use a 9/16" spanner or socket to remove the 3/8" Nyloc nut and washer and push it free.
5. Locate a block of wood underneath the front of the Cutter Deck to offer support.
6. Rotate the Trunnion to advance it up the Rod to lift the back of the Deck. Rotate it the other way to lift the front. Adjustment is rapid, so try one or two turns first and relocate the Trunnion Bracket and secure – then check the effect. Repeat and re-check if necessary.



Please Note: - BEFORE YOU START

IMPORTANT

The information contained on this, and the following pages is given on the understanding that Countax accepts no responsibility for work carried out by a customer or for any damage thus caused, whether or not the service instructions have been misunderstood. To be sure that your warranty terms are not breached, service work should only be carried out by your dealer.

LEVELLING SIDE TO SIDE

Adjustment is best done with the Deck in a position one up from its lowest cut – check the level both sides and levelling is then achieved by adjusting the left (nearside) of the deck at two points.

REAR ADJUSTMENT - Fig 21 & 22

1. Find the Deck Level Disk (fig 21) near the back (nearside) wheel. This has a concentric slot in which the Deck Levelling Rod is located.
2. Using a 1/2" spanner, loosen the 5/16" Nyloc nut (fig 22) (A) securing this stud just enough to permit some movement.
3. Now lift or depress the Deck depending on the adjustment you wish to achieve. This will move the stud up or down the disk (B) – the higher up and nearer the centre of the disk the higher the deck.
4. Check with your ruler or tape and having levelled the Deck at the rear, re-tighten the Nyloc nut.

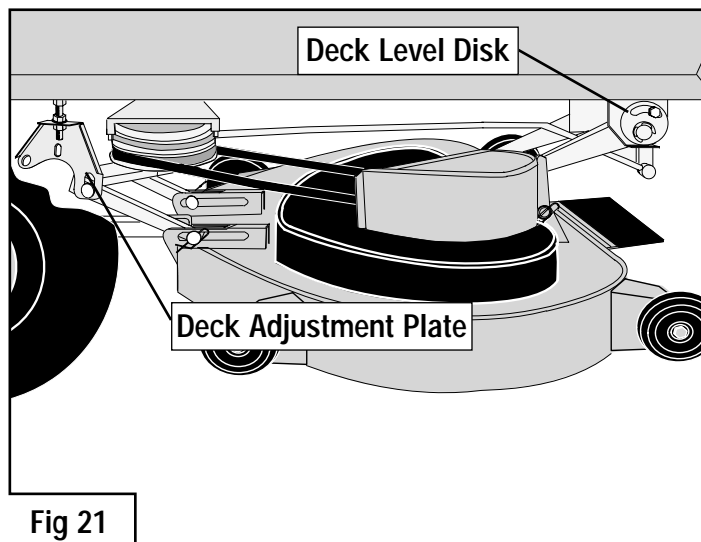


Fig 21

FRONT ADJUSTMENT - Fig 21 & 23

1. Having levelled the rear of the Deck, check if the front is level. If not, you will need to find the Deck Adjustment Plate (fig 23) which is forward of the Cutter Deck near the front (nearside) wheel.
2. Before making adjustments, loosen the two sets of nuts and bolts (C & D) securing the Deck Levelling Bracket (E) using a 13mm spanner and 13mm socket.
3. Then, using a 13mm spanner, loosen (upper) locknut (F).
4. Now adjust the height by using a ratchet or spanner to turn the Nyloc nut (G) clockwise (up) to raise the Deck or anti-clockwise (down) to lower it.
5. When correct level is achieved, tighten up all nuts and bolts except G.

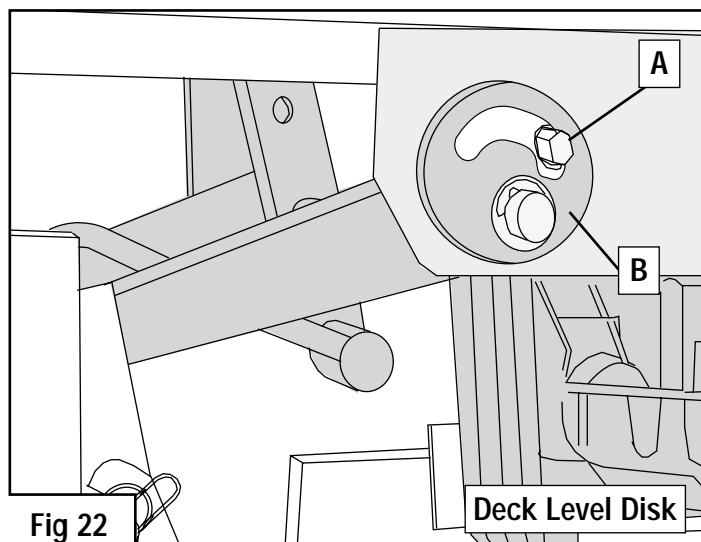


Fig 22

ANTI-SCALP WHEELS - Fig 20

For the closest cut, set the Anti-Scalp Wheels (Page 9, fig 20) in the middle adjustment holes. If you are experiencing scalping, this can be minimised by setting the wheels in the lowest adjustment holes.



Please Note: - BEFORE YOU START

IMPORTANT

The information contained on this, and the following pages is given on the understanding that Countax accepts no responsibility for work carried out by a customer or for any damage thus caused, whether or not the service instructions have been misunderstood. To be sure that your warranty terms are not breached, service work should only be carried out by your dealer.

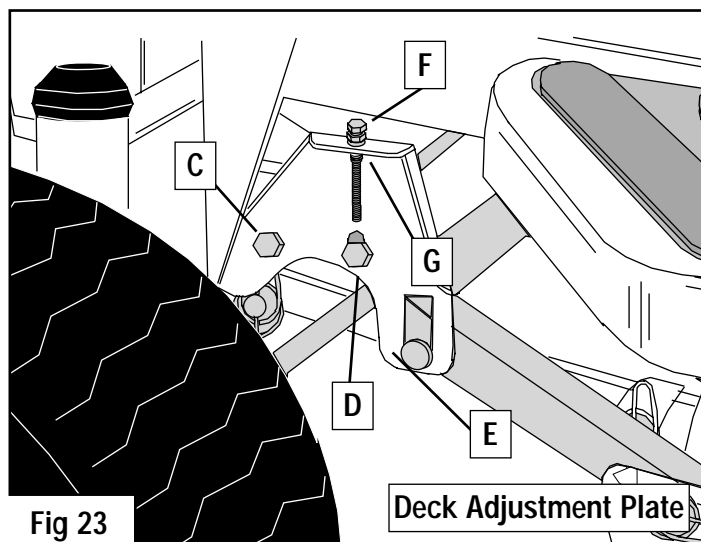


Fig 23

Cutter - Drive Belt - C Series Garden Tractor

Before carrying out tests or adjustments (the problem maybe simpler) – first check the following points:

1. Is the Engine to Cutter Drive Belt slipping? Check that the Drive Belt Tension Lever (fig 13) under the left running board is in the tensioned position. If not, rectify – this is the most likely cause of Cutter failure.
2. Has debris collected in the Cutter Deck Pulley Housing? If so, remove the cover and remove the obstruction.

ENGINE TO CUTTER DRIVE BELT TENSION

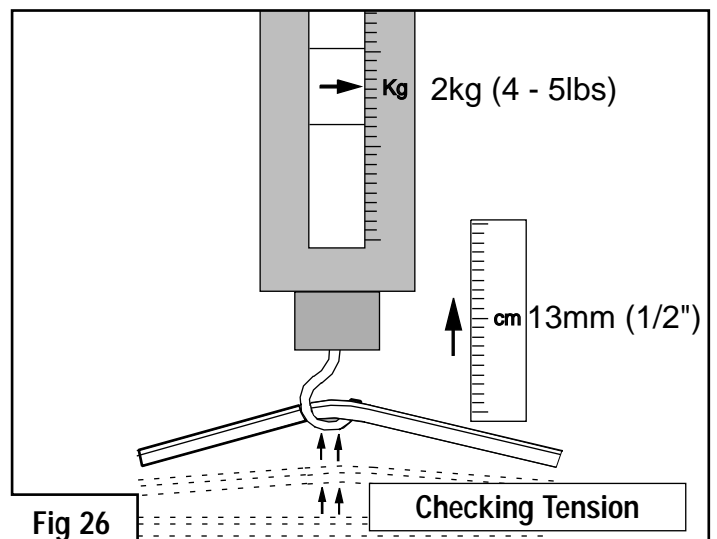
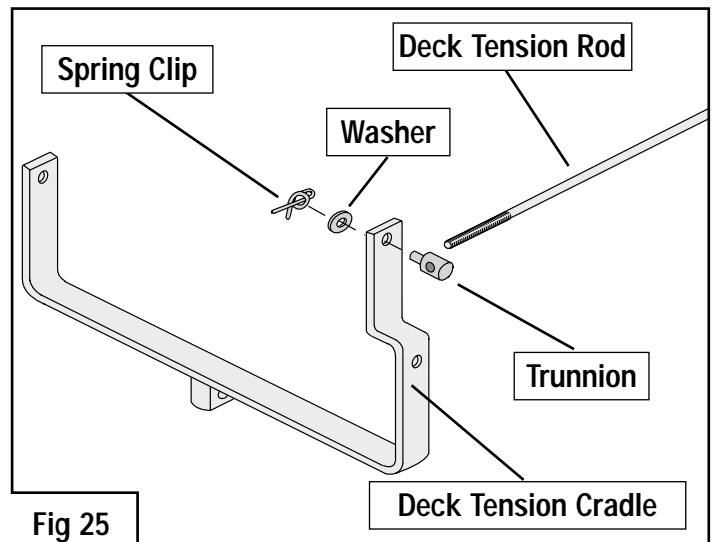
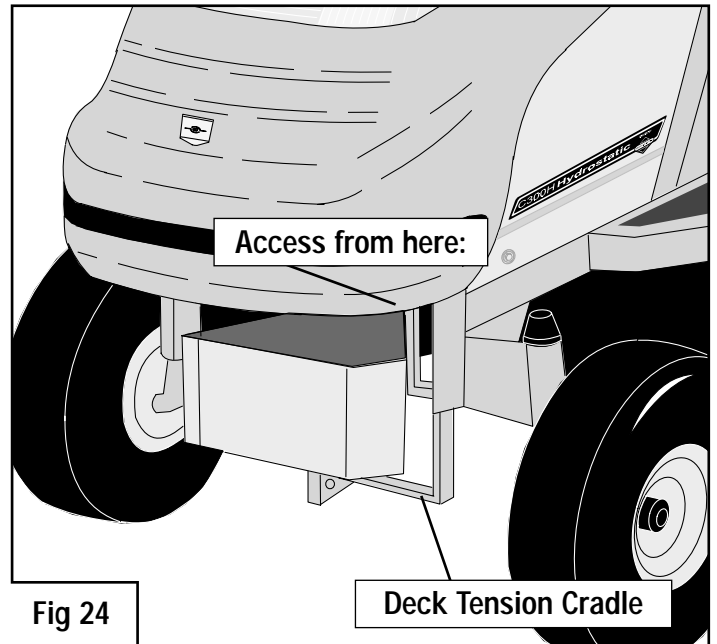
The correct tension of the Cutter Drive Belt (Engine to Deck) is critical. If incorrectly set it can lead to engine damage.

To check the tension, follow procedure:

1. Put the deck in a middle cutting height position (5 on the HE illuminated indicator).
2. Select a midway position on the Belt between the front (Electric Clutch) pulley and rear (Cutter Deck) pulley and using a spring balance; apply a 2Kg (4-5lbs) pull (fig 26).
3. Using a ruler or tape, measure the deflection achieved which must be 13mm (1/2"). If more, the belt tension must be increased, if less – decreased.

To correct the tension, follow this procedure:

1. Release the tension on the belt by pulling the Belt Tension Lever (page 7, fig 13) forward.
2. Taking care not to burn yourself on a hot exhaust, locate the Trunnion at the end of the Belt Tension Rod, look to the front (nearside) close to the exhaust (see fig 24).
3. Remove the Spring Clip and washer holding the Trunnion in place on the Deck Tension Cradle (fig 25) and release the Trunnion so it can be turned.
4. Both the Trunnion and the Belt Tension Rod are threaded. You increase belt tension by winding the Trunnion towards the end of the Rod and reduce tension by winding in the reverse direction.
5. Having made the adjustment, re-locate and secure the Trunnion, re-tension the Belt with the Belt Tension Lever – then re-check the Belt tension.



Please Note: - **WARNING**

IMPORTANT

On NO account must the tractor be run with the Engine to Cutter Drive Belt over-tensioned as it will damage the Engine. As any such damage will not be covered by warranty, Countax strongly suggest you get your local supplying dealer to set Tensions.

C Series Garden Tractor - Powered Grass Collector

CONNECTING PGC TO TRACTOR - Fig 28

To connect the Powered Grass Collector (PGC) to your C Series tractor, ensure that both are on an even surface with the Locking Levers on the Collector facing the Lift Arms on the tractor. Move the Collector manually to the tractor, lower the lift arms using the Lever (fig 30) or switch on dashboard (fig 1). Then lift/tip the seat forward and lift the PTO flap to expose the PTO pulley.

At the end of each Lift Arm, you will find a Locating Lug. Slide the channels on either side of the Powered Collector over the Lugs, but do not engage the Locating Lever yet. Ensure that the Rubber Flap at the opening of the PGC is located on the top of the Transmission Grass Deflector.

INSTALLING THE DRIVE BELT - Fig 29

Place the Drive Belt over the PTO pulley (beneath Tractor Seat). Standing adjacent to the Tractor, extend the belt with both hands parallel to the ground. Now twist the belt to form a figure '8' - the right hand up and the left hand down. In this position place the other end of the belt over the Powered Collector Pulley. Be sure that this is installed the right way round, otherwise the brush will work in reverse and collection will be poor. Lock the Locating Lever over the Lift Arm Lugs. Rotate the Locking Clips over the Lift Arm Lugs. To disconnect, reverse this procedure.

FITTING THE NET - Fig 27

Fit the Net as shown in fig 27 with the net rod (A) in position 'X'. To remove the net, release the net rod (A) and secure in the removal position 'Y'.

PTO DRIVE BELT TENSION - Fig 29

Engaging the Locating Lever tensions the belt which should not be run too tight - to check the tension there should be a 19mm deflection with light finger pressure (2kgs) at a midway point between PTO pulley and Sweeper Pulley. It is important after attaching the Sweeper to the Tractor to check the Belt Tension and adjust if necessary. This must be done before the Sweeper is put into operation and with the Sweeper on the ground. With light finger pressure (2kgs, 4-5lbs), there should be a total deflection of 19mm (3/4") at a midway point between PTO Pulley and the Sweeper Pulley. If a Spring Balance is available, a pressure of 2kgs (4-5lbs) is required for a deflection of 19mm (3/4"). If the Belt Tension is incorrect, it can be adjusted by movement of the Sweeper Locking Levers or the threaded rod. Ensure the lock nuts are suitably tightened after adjustment. Do not over-tighten the lock nuts, as levers need to pivot.

Always be sure to keep the PTO lever in the disengaged position and the Sweeper Lowering Lever in the transport position when not collecting grass clippings.

LOWERING THE COLLECTOR - Fig 30

Using the Lever (fig 30) or the Aux Lift switch (HE tractors only) situated on the Console (page 3) lift or lower the Powered Grass Collector.

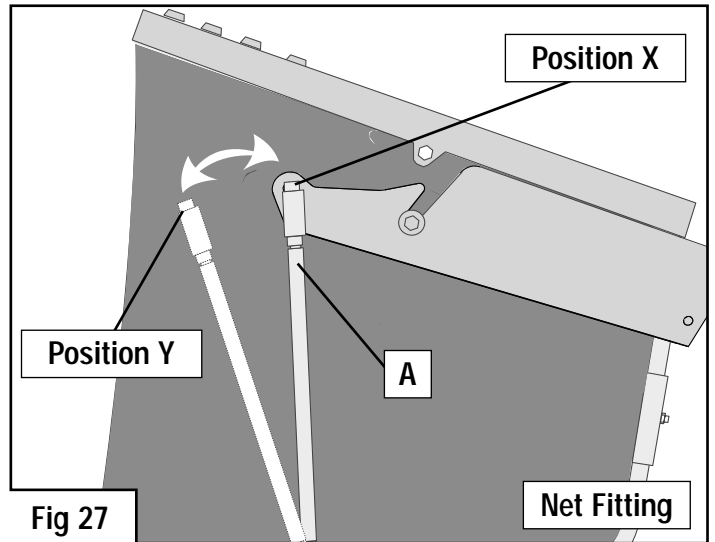


Fig 27

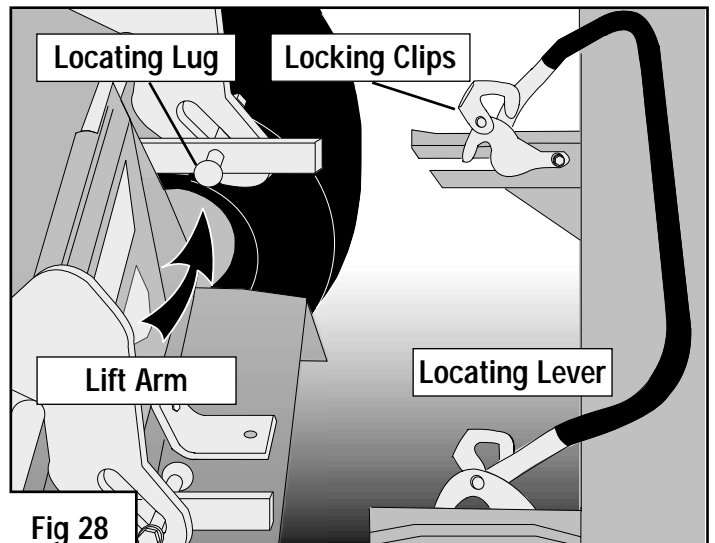


Fig 28

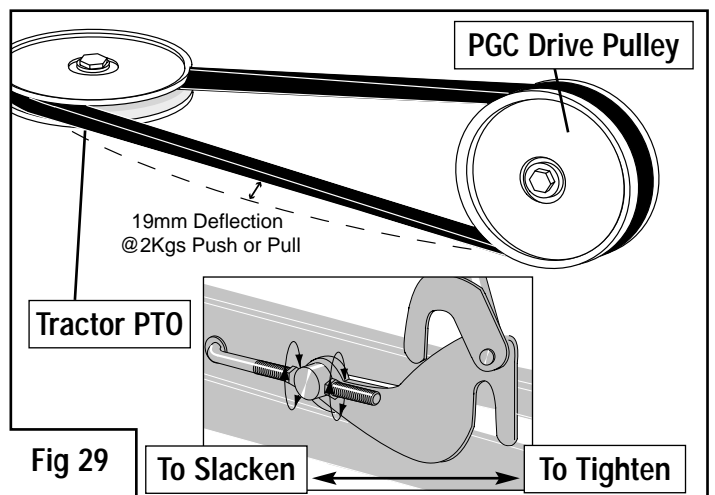


Fig 29

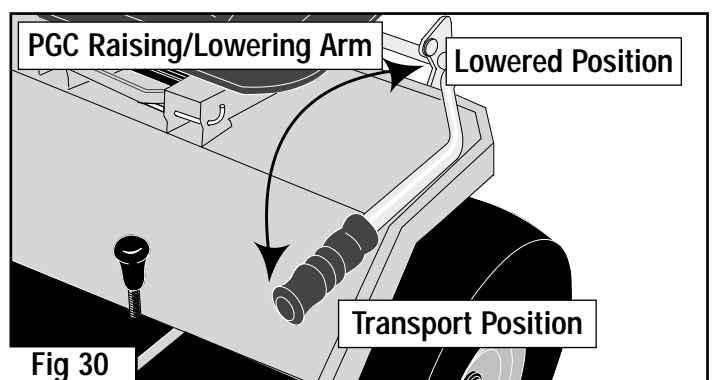


Fig 30

Powered Grass Collector - C Series Garden Tractor

If your Collector appears to be not picking up satisfactorily, check the following:

- ✓ The PTO lever is engaged.
- ✓ That the PTO pulley beneath the seat is turning – if not, call your dealer.
- ✓ That the Collector Belt is not reversed (if it is correct, the brush revolves against the forward direction of the tractor (fig31)).
- ✓ That the Brush Height Adjustment Lever is not set too high or too low (fig 34).
- ✓ That there is not a build up of congealed grass on the leading edge of the Brush Guard.
- ✓ That the Brush is not clogged.
- ✓ That the Collector Belt is not slipping, if so then adjust the tension or replace the worn or damaged belt.
- ✓ That the Collector net is not clogged. If so, wash or brush with a stiff hand brush.
- ✓ That the Brush is not damaged.

TIPPING CUTTINGS - Fig 32

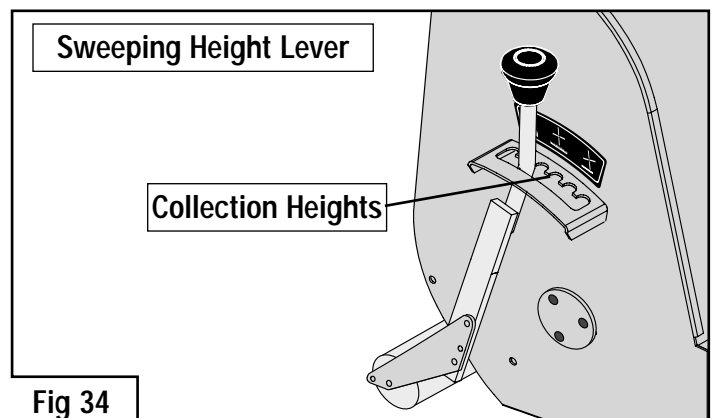
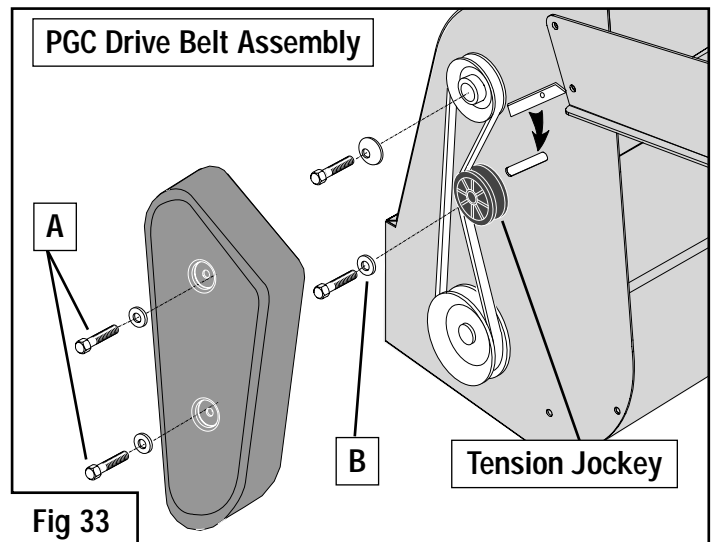
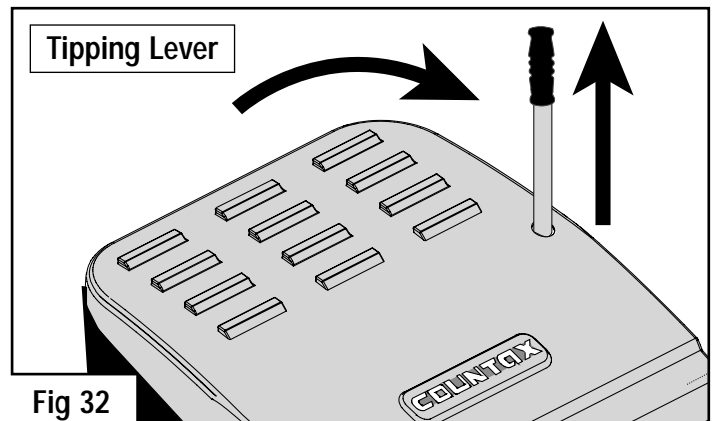
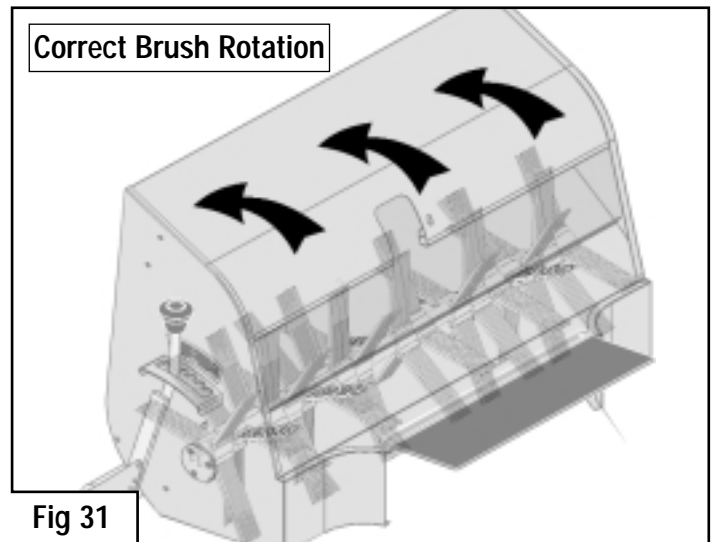
When it is full, raise the Collector to the Transport position (using the Lift Lever – page 12 or Lift Switch page 3), drive to your tipping area, reverse to the pile, select neutral and extend the Tipping Lever.

CHECKING, TENSIONING AND REPLACING SIDE DRIVE BELT - Fig 33

1. First Remove Collector from the tractor.
2. To remove the plastic cover, remove the two nuts and bolts (A) using a 1/2" spanner and socket.
3. Using a 1/2" spanner and socket, slacken the nut and bolt (B) holding the tension pulley and slide the pulley out of the way.
4. Remove the belt and fit the Countax replacement belt.
5. Tension the belt by sliding back and securing the belt tensioner. The tension is not critical but the belt must not be too tight. The ideal is 13mm (1/2") deflection at 2kgs (4/5lbs) pull – use a spring balance and ruler or tape to check.
6. Make sure that the rectangular cover plate fits over the adjustment slot – failure to do this will allow cuttings and grit to accumulate and damage the pulleys and belt assembly.
7. Replace the plastic cover.

ADJUSTING THE SWEEPING HEIGHT - Fig 34

Using the Sweeper Height Lever, select a position appropriate to the conditions and the height of cut. To get the best sweeping performance and to preserve the brushes, select the highest setting that works – start high and adjust down until the brushes start to collect (normally the middle adjustment hole). Do not set the brushes too low – this will lead to scarifying and a very untidy finish as well as shortening brush life.



STARTING AND RUNNING CHECK LIST

Before you start:

- ✓ Check that the engine is filled with the correct oil (SAE 30) and to the recommended mark – never over-fill (fig 37).
- ✓ Fill your Petrol tank with fresh unleaded premium petrol. If it is more than 1/3rd full of old stale petrol that has been in the tank 8 weeks or more – drain and then refill. If less than 1/3rd full of old untreated fuel, completely fill with new premium unleaded petrol. We recommend the use of Countax Petrol Additive – it will keep petrol stored in the tank in good order and it lubricates and protects jets and valves.
- ✓ Ensure the throttle is advanced to 'FAST', and if the engine is cold that the choke is engaged.
- ✓ Ensure that the Park Brake is 'ON' and that the Brake/Clutch pedal is full depressed.

INSERT THE KEY AND TURN CLOCKWISE

If the dashboard ignition lights fail to come on – check:

- ✓ That the battery terminals are connected (see page 18).
- ✓ That the 15amp fuse is properly located and has not blown (see page 19).
- ✓ That the battery is charged.

If the engine fails to turn over – check:

- ✓ That the brake is depressed or Parking Brake is on:

If the engine turns over and does not start – check:

- ✓ That the fuel tank is full and the Petrol Tap is turned ON (page 16).
- ✓ That the Spark Plug lead is connected.
- ✓ That the outlet in the fuel tank is not blocked.
- ✓ That the Spark Plug is clean and set to the correct gap (page 18).
- ✓ That the fuel filter is not blocked (see page 16).

If the above do not apply – call your dealer.

If the engine misfires, loses power or stalls in use – check:

- ✓ That you have not run out of fuel.
- ✓ That the air filter pre-cleaner is not blocked (page 17).
- ✓ That the cooling air intakes are not blocked.
- ✓ That the fuel filter is not blocked.
- ✓ If the ignition lights have gone off – check the 15amp fuse.



Please Note: - **IMPORTANT**

IMPORTANT

If there is evidence that the engine is overheating or if you find the oil consumption to be high - call your dealer without fail! Countax suggest that ALL service work to your tractor and engine be carried out by your dealer.

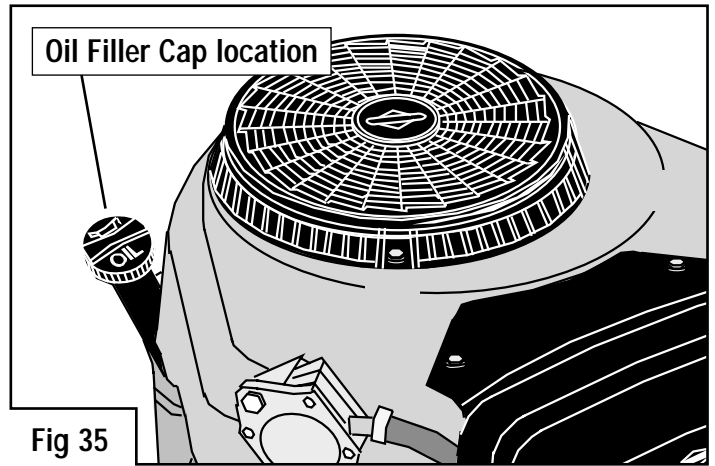


Fig 35

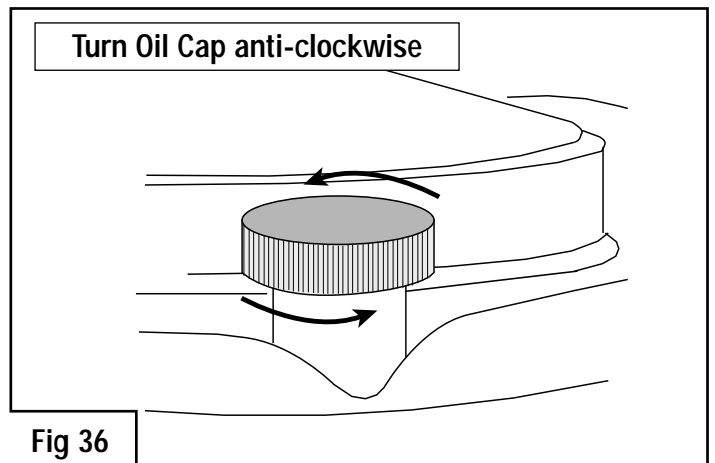


Fig 36

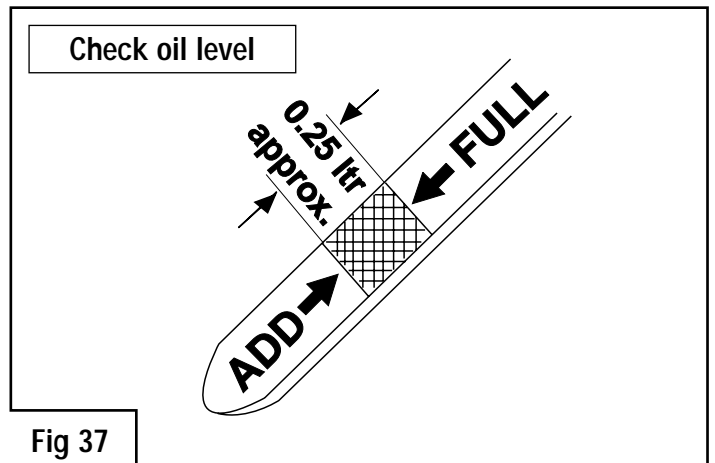


Fig 37

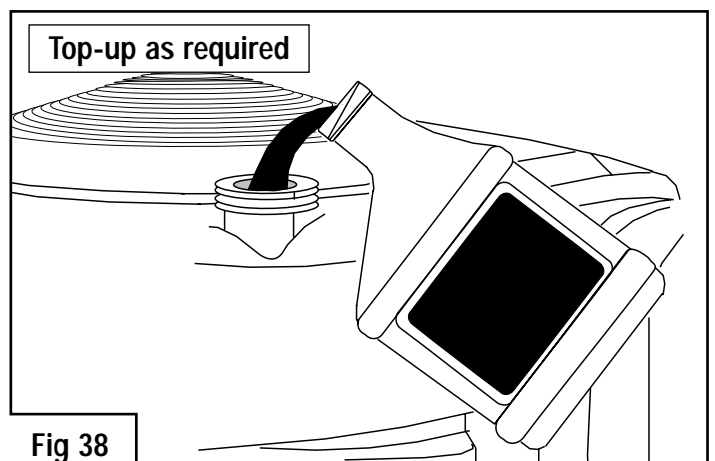


Fig 38

Engine Oil - C Series Garden Tractor



Please Note: - **OIL CHANGING**

IMPORTANT

Oil should be changed without fail after the first eight hours of running!

OIL DRAINING

The C Series tractor has an oil drain adaptor (fig 39) located on the right hand (offside) of the engine. This is like a bayonet light fitting, which you push in and turn anti-clockwise to release. A short length of clear hose is supplied in the toolkit that fits on this adaptor so that waste oil can be poured into the can or bottle.

BEFORE DRAINING

1. Start the engine and allow to idle until warm (about five minutes).
2. Switch off the engine, lift open the bonnet and unscrew the oil cap/dipstick.

TO DRAIN

1. Locate the Oil Drain (fig 39).
2. Remove the Yellow Dust Cap.
3. Fit the short length of hose supplied over the nozzle of the adaptor (see fig 39) and direct the other end into a container large enough to take 2-litres of waste oil.
4. Press the adaptor in; turn anti-clockwise and pull to start flow (fig 40).
5. When the sump is empty, press in the adaptor and turn clockwise to lock. Remove hose and store for next use. Replace Yellow Dust Cap (fig 41).
6. Refill with recommended oil (SAE30 detergent oil classified for service – SG, SF, SE) to engine manufacturer's instructions. **DO NOT OVER-FILL.** The use of lubricants that are not recommended may lead to excessive wear or damage – and this will **NOT** be covered by warranty.

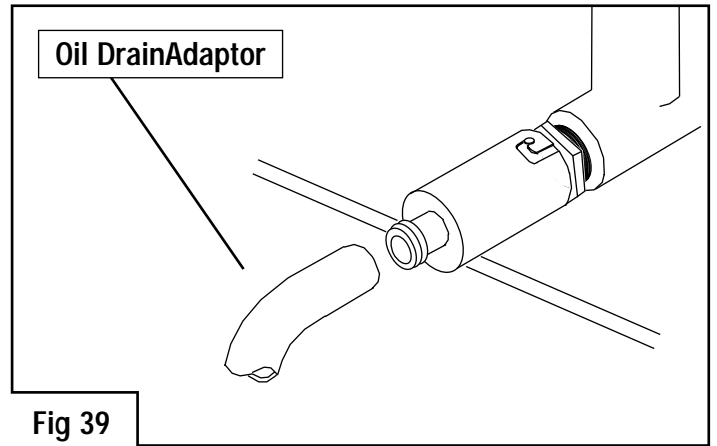


Fig 39

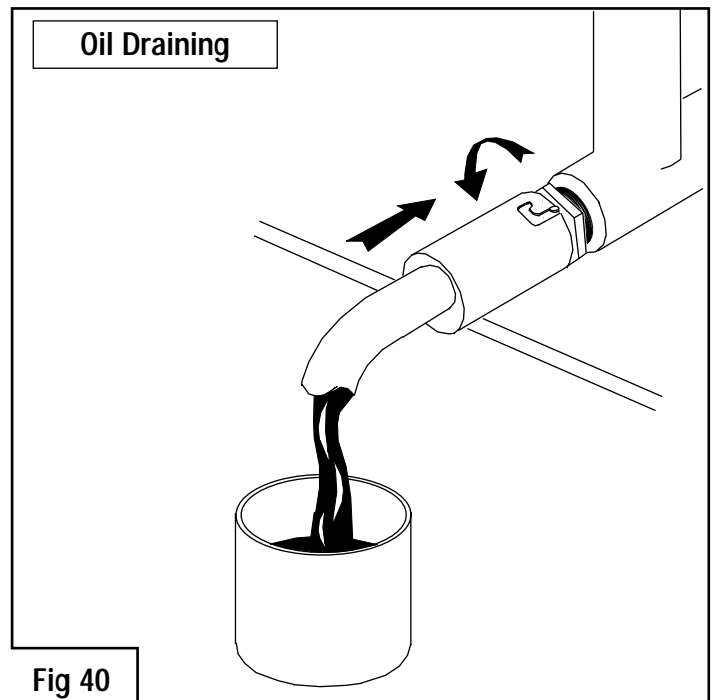


Fig 40

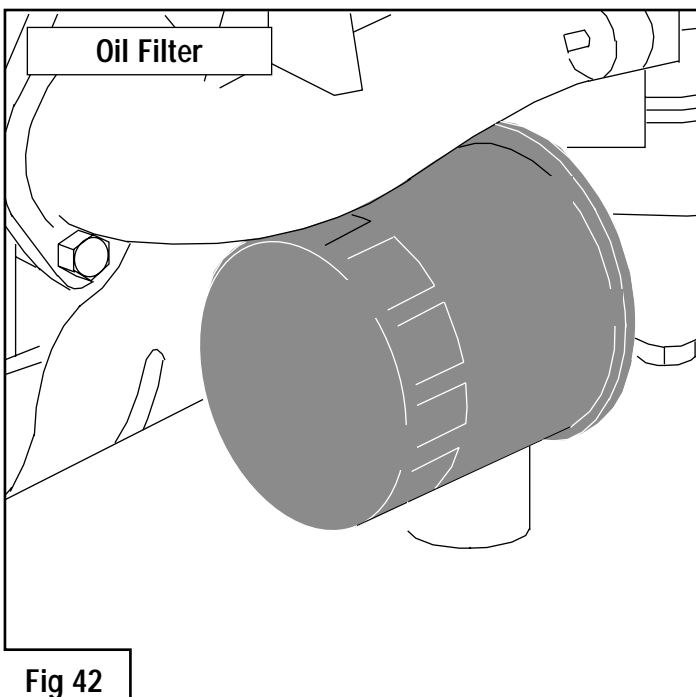


Fig 42

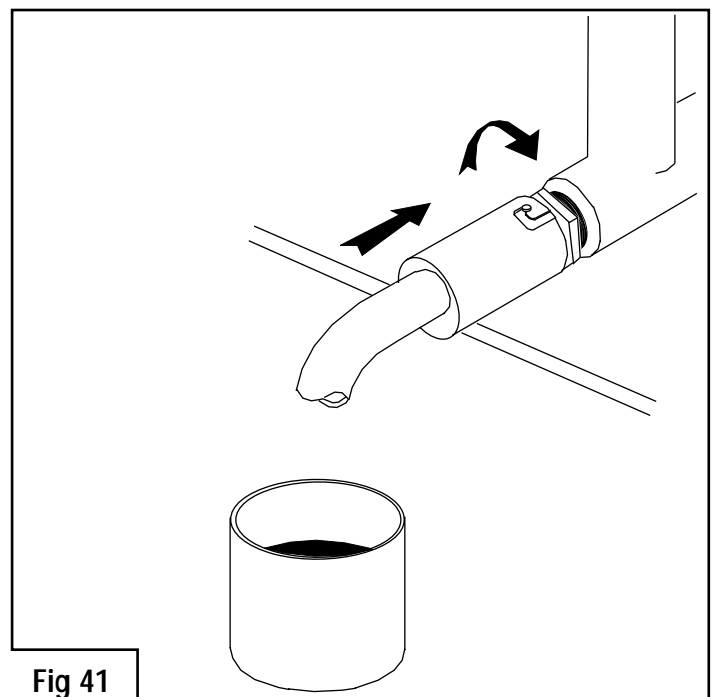


Fig 41

The fuel tank is situated under the bonnet beneath the dashboard of your tractor (fig 43). Great care must be exercised when dealing with petrol, so use common sense at all times.

- Extinguish ALL naked flames and sources of ignition.
- Switch off the engine at the ignition and remove the key.
- If the tractor has been running, allow the engine to cool before attempting to refuel.
- Refuel in a well-ventilated area, preferably outdoors.
- Keep fuel in a clean, purpose made container and make sure that no water or other foreign substances can mix with the petrol.
- Wear protective gloves.
- Always fill using a funnel with a mesh strainer.

FILLING THE TANK - Fig 43

1. Clean around the cap of the fuel tank before filling.
2. Fill with new unleaded petrol from a CLEAN container.
3. Use a clean funnel, preferably with a filter.
4. We recommend the use of Countax Fuel Additive, particularly if the fuel is to be left for more than a couple of weeks.

FUEL FILTER - Fig 45 & 46

If you suspect that fuel is not getting through to the engine, first check that the outlet in the fuel tank is not blocked. Then remove the hose from the carburettor side of the 'in-line' fuel filter (having first ensured that you have a container into which fuel flow can be directed). If the fuel flows, the filter is probably ok. If it is more than a year-old it is sensible to replace it (consult your dealer).

If fuel is passing the in-line filter, it is likely that fuel is not your problem. If the carburettor is the problem, it is only serviceable by your dealer.

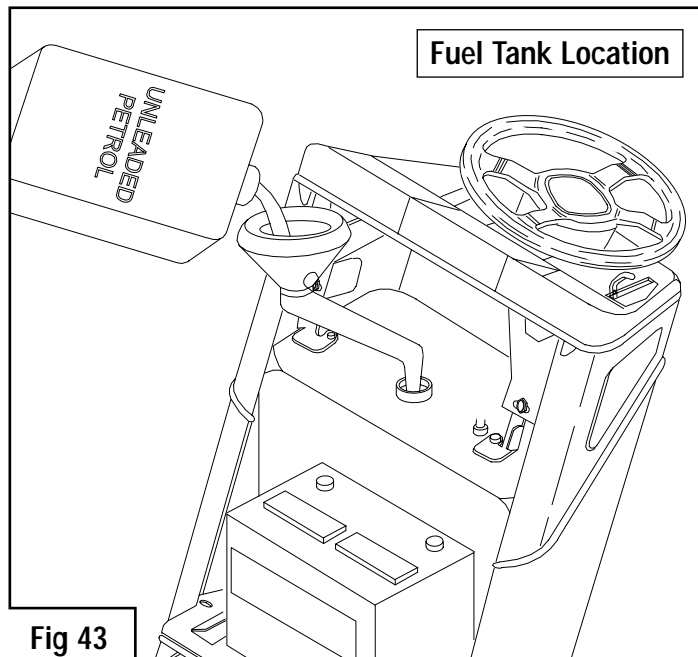


Fig 43

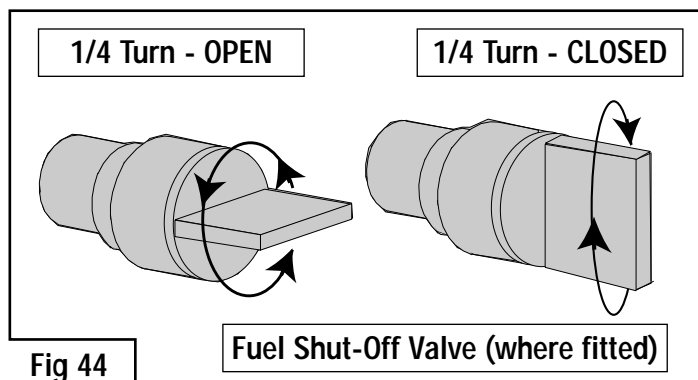


Fig 44

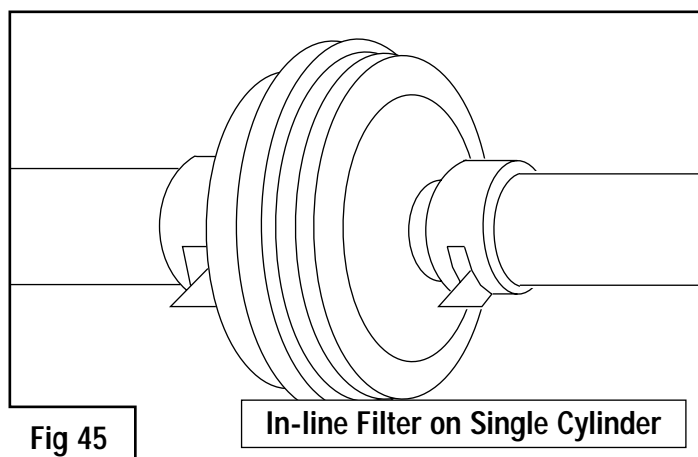


Fig 45

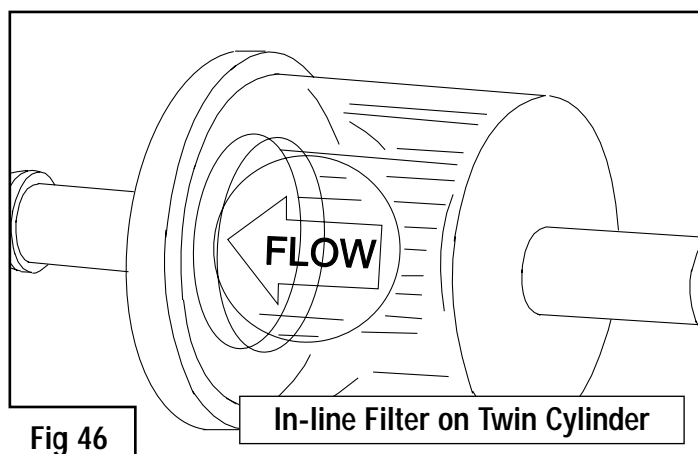


Fig 46



Please Note: - **BEFORE YOU START**

IMPORTANT

The information contained on this, and the following pages is given on the understanding that Countax accepts no responsibility for work carried out by a customer or for any damage thus caused, whether or not the service instructions have been misunderstood. To be sure that your warranty terms are not breached, service work should only be carried out by your dealer.

Air & Cooling - C Series Garden Tractor

AIR INTAKE/COOLING SYSTEM

The cooling fan also supplies air to the carburettor so if the engine won't start or if it is stalling or overheating – check the cooling fan system and the air filters.

1. Check that debris is not caught in the cooling fan cover – clean with a stiff brush.
2. Remove the air-filter cartridges and check that debris is not gathered on the Pre-Cleaner.

After these checks you must consider whether the air filter cartridges should be replaced.

Figures 47 & 48 illustrate the Briggs & Stratton air filters for Single and Twin Cylinder engines. Great care is needed when re-assembling them, make sure that all components are replaced in the correct order and that they are secure. If in any doubt, Countax recommends that you should consult your dealer or the Countax Service Department for advice.

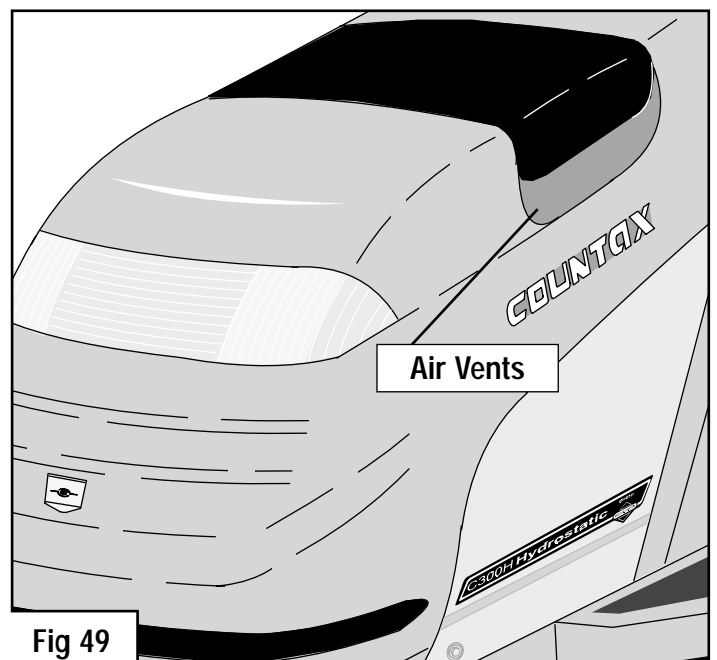
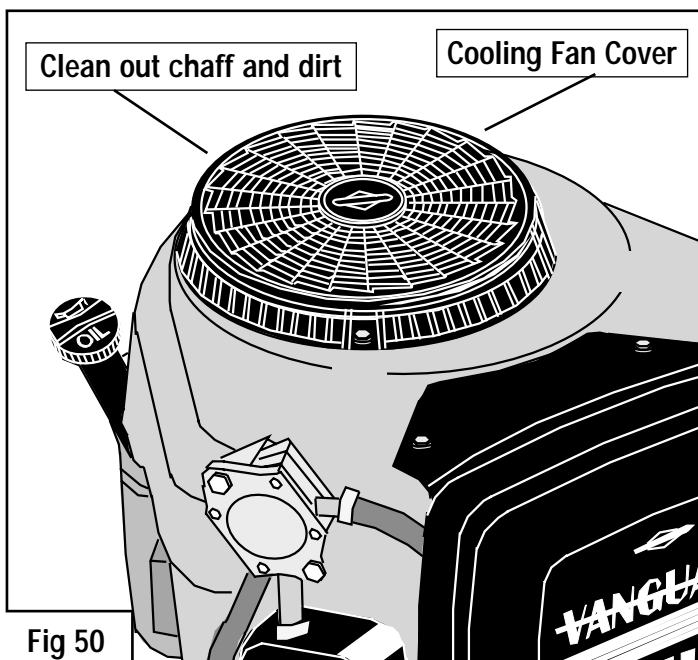
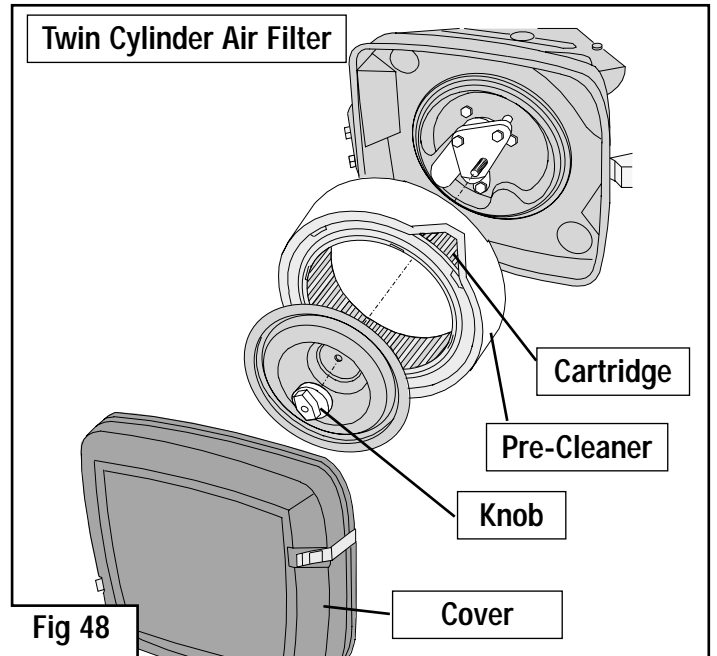
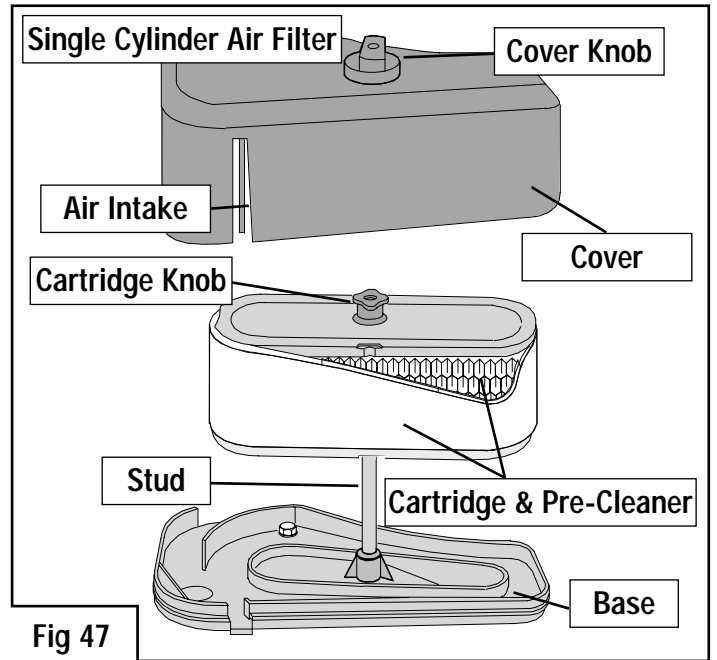
Check with your engine manufacturer's handbook for service times of the air-filter pre-cleaner.



Please Note: - **BEFORE YOU START**

IMPORTANT

The information contained on this, and the following pages is given on the understanding that Countax accepts no responsibility for work carried out by a customer or for any damage thus caused, whether or not the service instructions have been misunderstood. To be sure that your warranty terms are not breached, service work should only be carried out by your dealer.



BATTERY - Fig 51

The battery is located underneath the fuel tank of your C Series tractor. As long as you follow these simple maintenance procedures, the battery can last many years, but always check with your dealer if you feel that the battery is leaking or faulty.

As with a car, it is VERY important not to lay metal tools across the terminals of the battery. Ensure that the terminal connectors are tightly secured and not exposed to any foreign metal objects loose in the battery compartment.

Regularly clean the terminals and coat with petroleum jelly and ensure electrolyte levels are topped up to the correct level, taking care not to over-fill.

Check that the battery terminals are correctly placed – green neutral (-) red positive (+). The battery should be periodically charged throughout the winter lay-off. If it has run down during normal summer use there could be several causes.

1. Distilled water not topped up.
2. Ignition left on.
3. 10amp fuse needs replacing.
4. The battery needs replacing.

If '1', '2' and '3' appear not to be applicable, first re-charge the battery using a trickle charger and await a second failure before calling your dealer. Alternatively the engine can be started using jump leads and the battery re-charged in use.

SPARK PLUG - Fig 52

Please note the make of the engine used in your tractor and be sure to fit the correct spark plug and set to the correct gap.

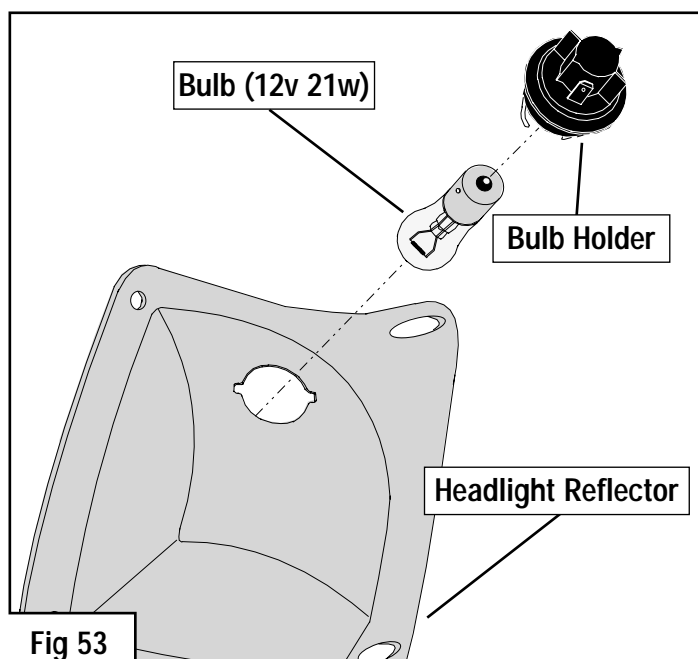
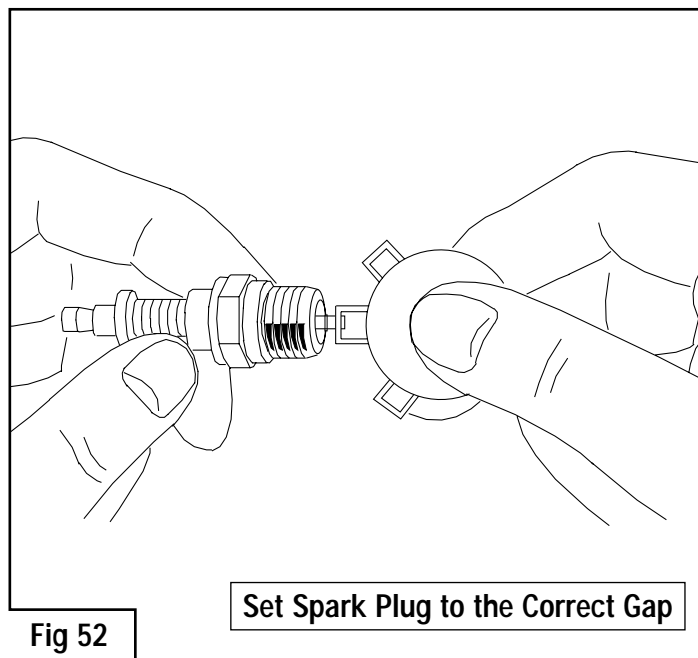
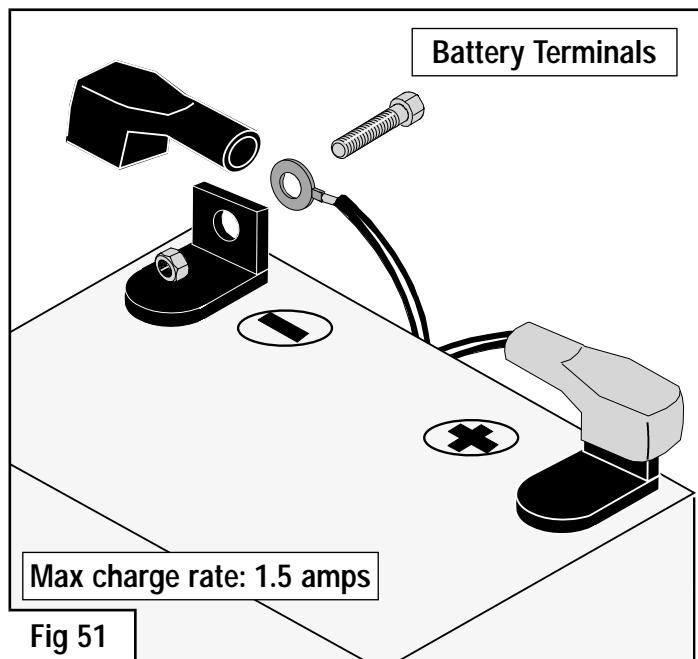
See engine Manufacturer's handbook for relevant spark plug data.

HEADLIGHTS - Fig 53

To replace a headlight bulb, follow this sequence:

1. Lift the bonnet and locate and unscrew bulb holder by holding firmly and rotating in an anti-clockwise direction. Be careful not to damage the reflector.
2. Remove the bulb from holder by carefully pushing it anti-clockwise and then pulling to release.
3. To fit replacement bulb (12v 21w) push into holder and rotate clockwise.
4. Insert bulb and bulb holder carefully into the headlight and rotate clockwise until it locates.

NOTE: - If both lights have gone off, it could be the fuse on the Printed Circuit Board (PCB) see page 19).



Fuses and PCB - C Series Garden Tractor

There are 2 fuses on the Standard C Series tractor, 3 on the HE models.

STANDARD TRACTOR

The 20amp (Yellow) charging circuit. The 15amp (Blue) lights, ignition and safety switches.

HE SPEC TRACTORS

The left hand 20amp (Yellow) charging circuit. The mid position 20amp (Yellow) lights, ignition, safety switches (this replaces the 15amp fuse on the standard tractor). The 20amp (Blue) electric lift for Cutter Deck and Collector.

To check – remove the fuses and check the small window (fig 54 & 55), there should be an unbroken metal strip bridging the gap.

If the 15amp fuse blows when the ignition key is turned, this means there is a short between the red and blue coloured wire and the body of the tractor. The usual places to investigate are:

1. The electrical PTO and socket (if fitted).
2. Seat Switch wires.
3. The Brake Micro Switch.

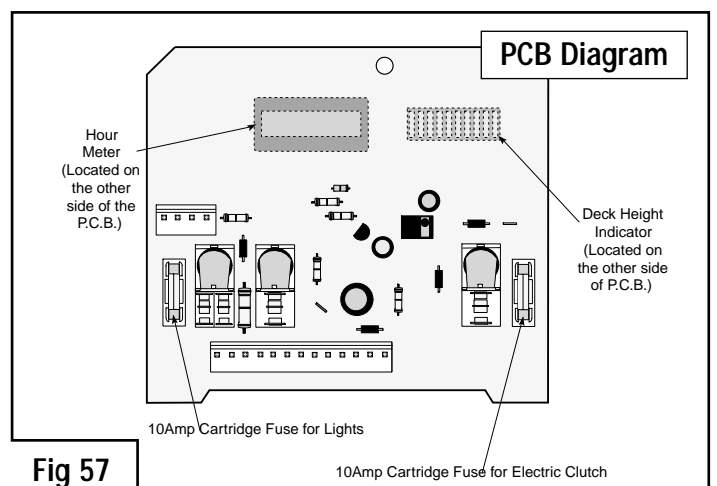
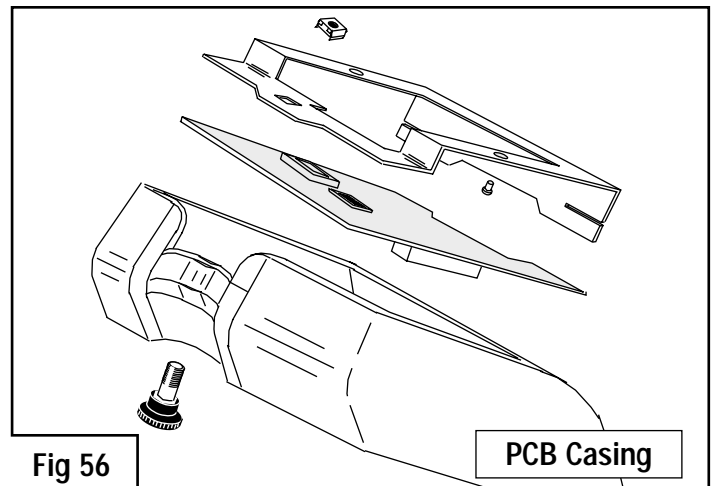
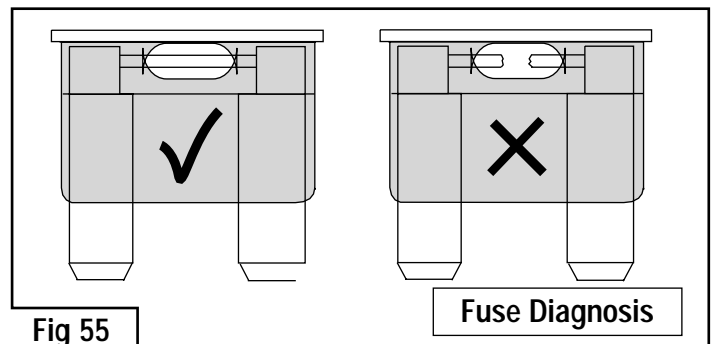
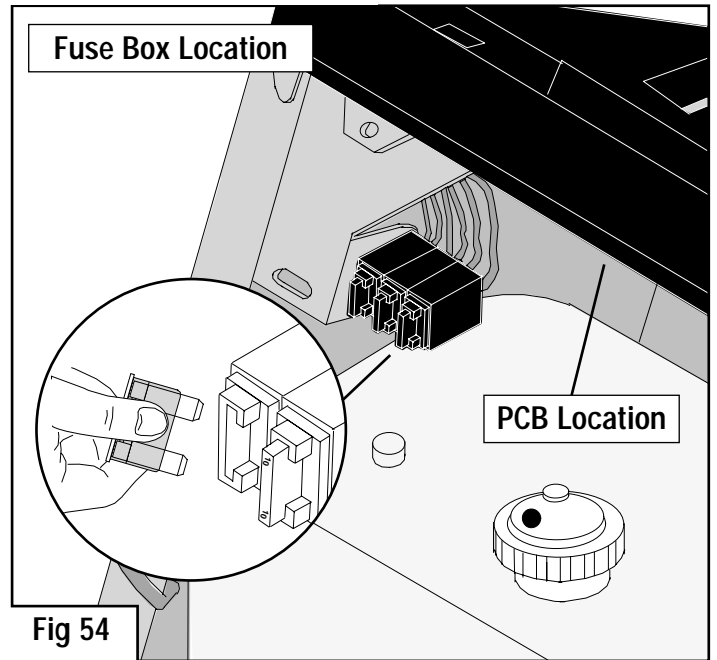
Please contact your dealer or the Countax Service Department before investigating electrical shorts.

If fuses blow after these have been checked, call your dealer.

PRINTED CIRCUIT BOARD FUSES - Fig 57

There are 2 fuses on the Circuit Board, which can be reached by removing the PCB cover (see fig 56). These two fuses control the lights and the Electromagnetic Blade Clutch. If the Blade Clutch disengages without being switched off, these are the possible causes:

1. You have got off the seat – the safety switch will disengage the Cutter.
2. The battery has lost charge and will no longer hold the clutch in operation.
3. Fuse blown on Printed Circuit Board – see figure 57.
4. Faulty safety switch or break in wire – contact your dealer.



Please Note: - BEFORE YOU START

ELECTRICAL WORK

Countax recommends that any electrical problems you may encounter with your tractor be dealt with by your dealer. If owners choose to undertake service work themselves they do so at their own risk. Countax accepts NO responsibility for any damage thus caused whether or not the service instructions have been misunderstood.

C Series Garden Tractor - Wheels and Tyres

TYRES AND WHEELS

Countax Tractors are fitted with grassland tyres that are designed to present a large area to the ground for grip and are of soft profile to prevent marking your turf. They are of thicker section and tougher than most 4 ply tyres. Persistent punctures and tyre deflation are nevertheless a problem experienced by around 5% of Countax customers. This is not a problem just for Countax owners – it is shared by the users of all types of off-road machinery fitted with pneumatic tyres. In practically every case there is a common cause – THORNS! Blackthorn, Hawthorn and Rose are usually at the bottom of the problem and will puncture any tyre not fitted with very expensive guards.

There are less expensive ways to overcome this problem - so check and avoid these possible causes:

1. The rim of the wheel has been damaged – breaking the seal on the tube-less tyre. There are two possible solutions:
 - If the damage is not severe, treat with Countax Tyre Sealant (Pt No. 52903501).
 - If the damage is significant – order a new wheel from your dealer.
2. If you have Hawthorn, Blackthorn or Wild Rose in your hedges - this will puncture any tyre. It makes sense to check any area you intend to cut or drive over and to remove any branches.

The long-term solution is to treat all four tyres with Countax Tyre Sealant – follow the instructions on the bottle.

IF YOUR TYRES SPIN OR LOSE GRIP CHECK:

1. Are the tyres correctly inflated? – check pressures on back page.
2. Are you going too fast for the conditions?

REMOVAL OF FRONT WHEEL - Fig 58

1. Apply Parking Brake.
2. Place chocks under all wheels that are to remain on the ground.
3. Remove the hubcap.
4. Use a 3/4" socket/spanner and ratchet to slacken off the wheel nut – do not remove!
5. Place a jack under the front axle (fig 58) and jack up until the wheel to be removed is well clear of the ground.
6. Remove the nut and washers and keep safely.
7. Pull off the wheel carefully – Taking care not to dislodge the Tractor from the jack.

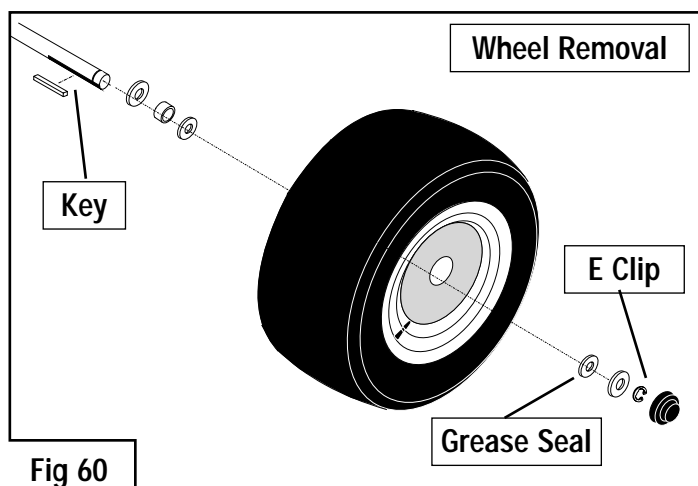
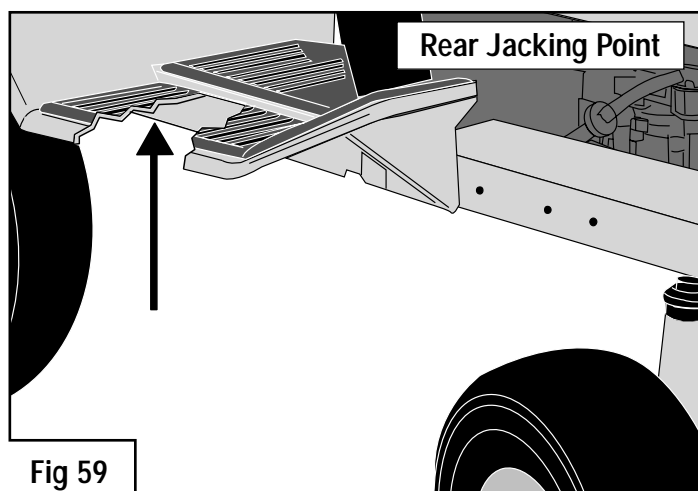
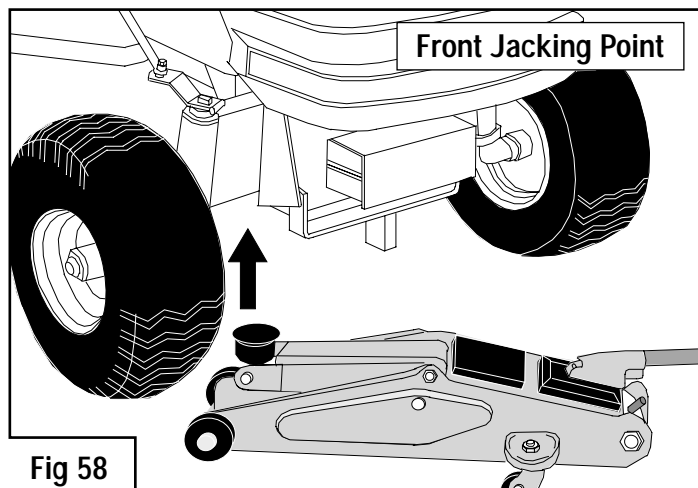
When the tyre is repaired, replace the wheel preferably using a new 1/2" Nyloc nut (Part No. 04822400). Tighten to a torque setting of 5.25kg.m (38lb/ft).

REMOVAL OF REAR WHEEL - Fig 59 & 60

1. Apply Parking Brake.
2. Place chocks under the wheels that are to remain on the ground.
3. Place the jack under the jacking point on the chassis and raise until the wheel is well off the ground.
4. Remove the hubcap.

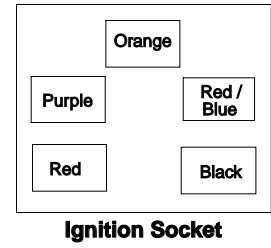
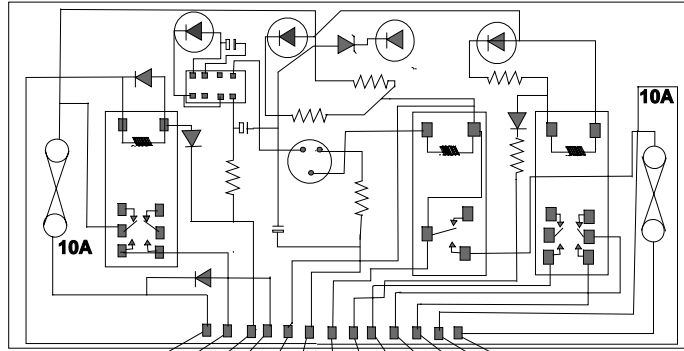
5. Using a flat ended screwdriver, lever off the 'E' clip and remove the washers (fig 60).
6. Pull off the wheel carefully taking care not to dislodge the tractor from the jack.
7. Remove the key from the wheel hub, first removing the grease seal from the front of the hub using a small screwdriver (keep safe with the key, 'E' clip and washers).

When the tyre is repaired, fit the wheel onto the shaft; line up keyways and tap in the key. Pull the wheel forward off the shaft until the grease seal recess is just clear and refit the seal. Then slide the wheel fully on the shaft. Reverse instructions 1-6 to complete the job.

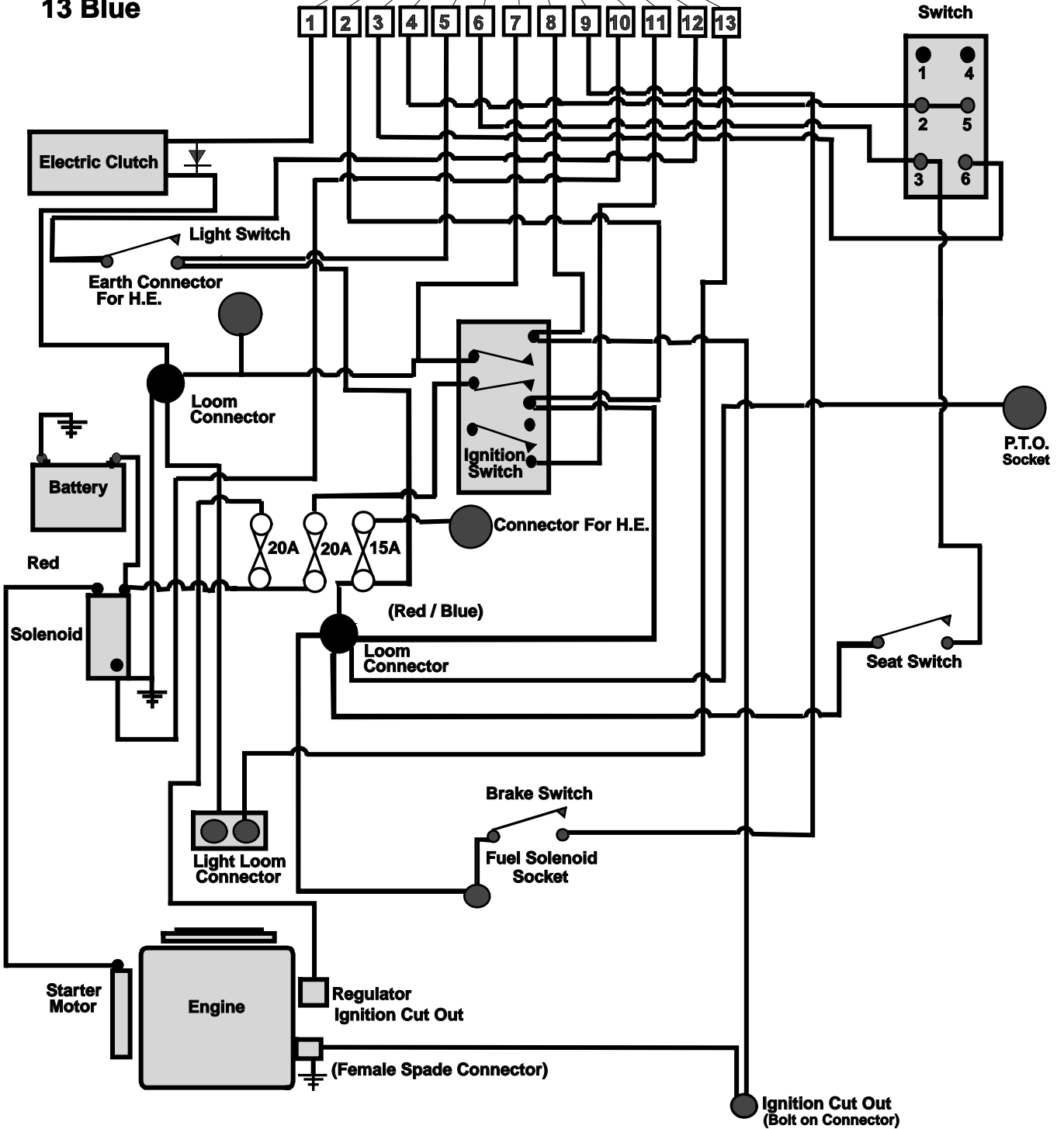
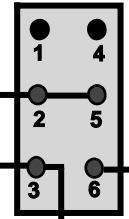


TRACTOR WIRING DIAGRAM

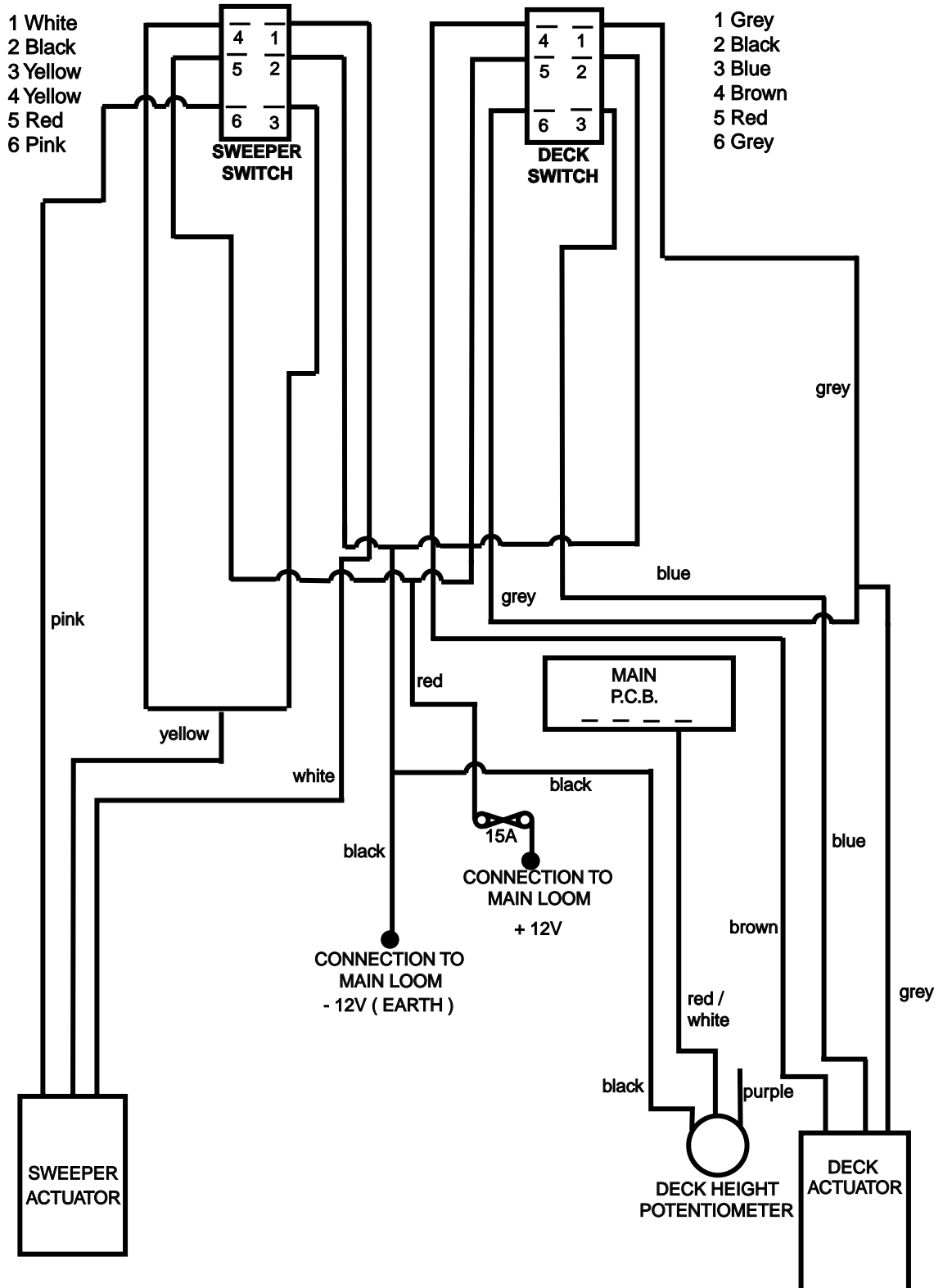
- 1 White
- 2 Red / Blue
- 3 Brown
- 4 Grey
- 5 Red / Blue
- 6 White / Red
- 7 Black
- 8 Purple
- 9 Yellow
- 10 Green
- 11 Orange
- 12 Red / Yellow
- 13 Blue



Electric Clutch Switch



HE WIRING DIAGRAM CONSOLE SWITCHES ACTUATOR POWERED 98



Useful Information/Tips & Tricks - C Series Garden Tractor

TYRE SEALANT

Countax STRONGLY recommends that you treat all four wheels with Tyre Sealant (available from your dealer). It will greatly increase the life of your tyres and reduce the risk of punctures, by protecting them from thorns and debris on your lawn. Simply follow the instructions on the bottle.

SPRING CLIPS

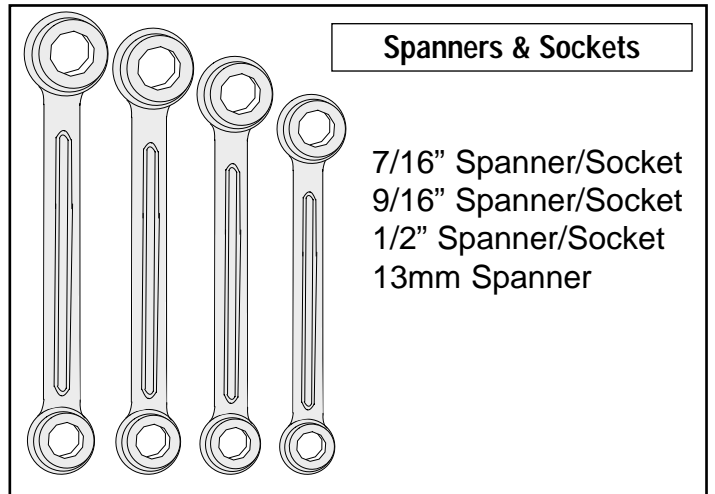
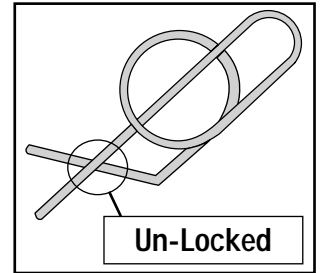
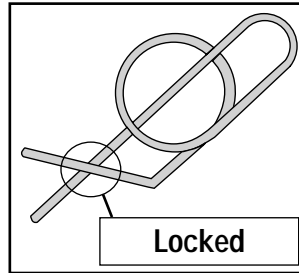
Before removing Spring Clips, be sure to 'un-lock' them by twisting the two arms over each other (see illustration). Then simply rotate them off the securing pin, a bit like removing a key off a keyring.

ADDITIONAL TOOLS

Even though a toolkit is included with your C Series Tractor, some maintenance and servicing jobs will require additional tools. Always be sure that you use the correct tools for the job, never use adjustable open-ended spanners or ill-fitting screwdrivers; not only can these damage the components of your tractor but they also can prove dangerous should they slip.

Additional Tools You May Require:

- Spring Balance/Belt Gauge
- Ruler or Tape Measure
- Torch
- Battery Charger
- 7/16" Spanner & Socket
- 9/16" Spanner & Socket
- 1/2" Spanner & Socket
- 13mm Spanner & Socket
- Screwdriver Set
- Rubber Mallet
- Funnel (with filter)
- Spark Plug Gap Gauges
- Petroleum Jelly
- Pliers
- Lifting Jack
- Tyre Pressure Gauge
- Foot Pump
- Block of wood (for supporting the Deck when removing)



SPECIFICATION SUMMARY

MODEL	ENGINE	DISP	POWER	TORQUE	BORE	STROKE
C300M C300H	Briggs & Stratton INTEK OHV	465cc	9.28kw (13hp) @3600 rpm	24.5NM @3600 rpm	87.3mm	77.7mm
C38H	Honda OHV GXV390	389cc	9.7kw (13hp) @3600 rpm	27.45NM @2500 rpm	88.0mm	64.0mm
C550H	Briggs & Stratton INTEK OHV	389cc	9.7kw (15.5hp) @3600 rpm	27.45NM @2500 rpm	88.0mm	64.0mm
C400H	Briggs & Stratton Vanguard OHV	480cc	11.2kw (14hp) @3600 rpm	31.0NM @2500 rpm	68.0mm	66.0mm
C600H C600HE	Briggs & Stratton Vanguard OHV	480cc	11.9kw (16hp) @3600 rpm	32.5NM @2400 rpm	68.0mm	66.0mm
C-800HE	Briggs & Stratton Vanguard OHV	570cc	13.4kw (18hp) @3600 rpm	40.0NM @2400 rpm	72.0mm	70.0mm

DIMENSIONS (approx.)

LENGTH:	1.75m (69")	HEIGHT:	1.14m (45")
LENGTH INC PGC:	2.07m (107")	WIDTH (EXC DECK):	96cm (38")

WEIGHT (approx.)

C300M:	329kgs (526lbs)	C400H:	243kgs (535lbs)
C300H:	241kgs (530lbs)	C600H/HE:	244kgs (537lbs)
C38H:	243kgs (535lbs)	C800HE:	261kgs (575lbs)
C550H:	243kgs (535lbs)	COLLECTOR:	53kgs (119lbs)

TRANSMISSION

Tuff Torq K55 Hydrostatic Transmission with infinitely variable speed control (sealed for life).
Peerless MST 206/536A Transaxle

ENGINE LUBRICANT

C300M:	1.4 litres (2.5 Pints)	C400H:	1.65 litres (2.9 Pints)
C300H:	1.4 litres (2.5 Pints)	C600H/HE:	1.65 litres (2.9 Pints)
C38H:	1.1 litres (1.9 Pints)	C800HE:	1.65 litres (2.9 Pints)
C550H:	1.1 litres (1.9 Pints)		

Recommended SAE30 or 10W-30 high quality detergent oil classified for service: SG, SF, SE. Read and follow the instructions in the engine manufacturer's handbook.

TYRE PRESSURES

FRONT: 0.8 - 1.1kgF/cm (12 - 16lb PSI)

REAR: 0.7 - 1.1kgF/cm (10 - 12lb PSI)

PRESSURE RECOMMENDED FOR MAXIMUM GRIP - NEVER INFLATE ABOVE MAXIMUM PRESSURES

COUNTAX®

Countax Limited, Countax House, Great Haseley, Oxford OX44 7PF
Tel: (01844) 278800 • Fax: (01844) 278792 • email@countax.com • www.countax.com
All figures are approximate. We reserve the right to change specification without prior notice E&OE

© copyright Countax Limited 2001